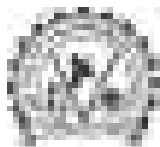


Programs on Entrepreneurship and Hackathon

S.No	Academic Year	Title of the Program	Sanctioned Organization	Duration of the Program
1	2022-23	IoT2HACK-2K23	SVEC	10 th & 11 th February 2023
		HACKOVERFLOW 2K23	SVEC	6 th & 7 th January 2023
		CAD Hackathon under FAME (Fabulous Association of Mechanical Engineering)	SVEC	10 th & 11 th June 2022
2	2021-22	HACKOVERFLOW 2K22	SVEC	29 th & 30 th April 2022
3	2020-21	-	-	-
4	2019-20	Entrepreneurship Awareness Camp (EAC)	DST – NIMAT	29th -31st August 2019
		Entrepreneurship Awareness Camp (EAC)	DST – NIMAT	23rd -25st September 2019
		Hackathon on Control of Electrical Drives	LEE Association (SVEC)	2 nd January 2020
		HACKOVERFLOW 2K19	SVEC	20 & 21 st December 2019
5	2018-19	Entrepreneurship Awareness Camp (EAC)	DST – NIMAT	30th August to 1st September 2018
		Entrepreneurship Awareness Camp (EAC)	DST – NIMAT	22nd to 24th November 2018
		HACKATHON on Digital System Design	SVEC	21 st December 2019
		Citizen Hack@DS'18	SVEC	3 rd December 2018



PRINCIPAL
SRI VASAVI ENGINEERING COLLEGE
PEDATADEPALLI
TADEPALLIGUDEM - 534 101



SRI VASAVI ENGINEERING COLLEGE (AUTONOMOUS)

(Sponsored by Sri Vasavi Educational Society)

(Approved by AICTE, New Delhi & Recognized by UGC under section 2(f) & 12(B))
(Permanently affiliated to JNTUK, Kakinada, Accredited by NBA and NAAC with 'A' Grade)
Pedatadepalli, TADEPALLIGUDEM – 534 101.W.G.Dist. (A.P)

Department of Electronics and Communication Engineering

Report on IoT2HACK-2K23





Report of the Program

In our ECE Department, The SPACE Club has organized "IOT2HACK-2K23" it is an IOT Based 24hr Hackathon under the Scheme of SPICES, Sponsored by AICTE, New Delhi. This program was conducted during 10th & 11th Feb-2023.

In this Hackathon program, Total 140 Members were participated as teams. The Team Size may consist of 4 to 5 students. Likewise Total 29 Teams were Formed.

To all these teams , Five IOT Use Cases were given Like a)Smart City, b) Transport & Logistics, c) Agriculture d) Health Care and e) Home automation. The students have done a project for given Problem Statement issued by Faculty Coordinators. This problem Statement is belongs to any Five IOT Use Cases mentioned above.

In order to revise the students Knowledge in the area of IOT USE cases , we have conducted Two days Boot camp Program also Prior to the Hackathon Programme in association with SKILLTRONICS Pvt Ltd, Tadepalligudem.

This Hackathon Program was started at 11 a.m on Day 1 and ends at 11 a.m on Day 2. During these 24 Hrs, very good Brain storming Sessions and good team work were observed among students in various teams.

On Day 1 Morning, In the Inauguration session, HOD, Deans, Principal, Management Members were addressed the students regarding the Program. During these 24 hrs, Lunch , Snacks, Dinner , Breakfast and Lunch were arranged to all the Participants.

On Day 2 Afternoon, in the closing Ceremony of the Program, The Dignitaries have presented the Cash Prizes and Certificates to Top 5 Batches students.

All the participants felt very happy and gave very good Feedback towards this Program.

The 8 Members of faculty Coordinators in the ECE Dept., and 12 Members of Student Coordinators were contributed their wonderful Efforts continuously and Made the Program Grand Success.

Details of Cash Awards:

1st Position Cash Prize	Rs 6000
2nd Position Cash Prize	Rs 4000
3rd Position Cash Prize	Rs 3000
Consolation Prize -1 -----	Rs 1000
Consolation Prize-2 -----	Rs 1000

Details of amount spent towards each Student hospitality :

Lunch-----Rs 50

Snacks ----- Rs. 15

Dinner ----- Rs. 50

Night time refreshments -----Rs.15

Breakfast ----- Rs. 20

Lunch ----- Rs.50

TOTAL amount spend on each student : 200 Rs

Total students ----- 140

Student Coordinators ----- 15

Faculty Coordinators-----08

Total cost ----- $163 \times 200 =$ Rs. 32,600

Total Expenditure Details :

S. No	Name of the Item	Amount in Rs
1	Program Brochures	350
2	Banners	800
3	Certificates	3,200
4	Cash Prizes	15,000
5	Student Hospitality	32,600
6	Trainer Charges	10,000
7	Miscellaneous	1,000
TOTAL AMOUNT		62,950



Dr. E. Kusuma Kumari

Professor & HOD-ECE

Inauguration Photos

























Validictory Program











(Handwritten signature)

PRINCIPAL
SRI VASAVI ENGINEERING COLLEGE
PEDATADEPALLI
TADEPALLIGUDEM - 534 101



SRI VASAVI ENGINEERING COLLEGE (AUTONOMOUS)

(Sponsored by Sri Vasavi Educational Society)

(Approved by AICTE, New Delhi & Recognized by UGC under section 2(f) & 12(B))
(Permanently affiliated to JNTUK, Kakinada, Accredited by NBA and NAAC with 'A' Grade)
Pedatadepalli, TADEPALLIGUDEM – 534 101.W.G.Dist. (A.P)

Department of Electronics and Communication Engineering

“IoT2HACK-2K23”

S. No.	Batch No.	Roll Number	Problem Statement given to student	IoT Use Case
1.	1	19A81A1412	Develop a prototype of a smart city where you can control over the traffic depending upon the density in the lane. Develop a model where the vehicle automatically turns off when a person is inebriated and informs the family members of the GPS co-ordinates using cloud-based messaging.	smart city
2.		19A81A0565		
3.		20A81A0426		
4.		20A81A0446		
5.		20A81A0407		
6.	2	20A81A1442	Develop a GPS Ambulance Tracking system with traffic clearance and Updation of vehicle movement into Google Maps.	Transport
7.		20A81A1417		
8.		20A81A1438		
9.		20A81A1409		
10.		20A81A1449		
11.	3	20A81A1446	Develop a smart-home lock which opens with fingerprints. Update the time of opening and closing of door and person identity for future use in cloud platform. Also implement the messaging to owner in case of true access, and alert in case of false access	Home Automation
12.		20A81A1418		
13.		20A81A1444		
14.		20A81A1426		
15.		20A81A1432		
16.	4	20A81A0213	IoT-Enabled Home Appliances using ESP32 Smart Plug Technology	Home Automation
17.		21A85A0205		
18.		20A81A0214		
19.		21A85A0209		
20.		21A85A0216		
21.	5	20A81A1431	Develop a model where the vehicle automatically turns off when a person theft and informs the family members using cloud-based messaging about the information and whereabouts of the thief.	Transport
22.		21A85A1404		
23.		20A81A1422		
24.		20A81A1425		
25.		20A81A1451		
26.	6	21A85A0406	Develop a smart car parking system which illuminates the bay when there is someone in the bay. This should use minimum energy to give best results. further, the car numbers, time of entry, exit, lights on time, off time, total time of illumination per day, and average illumination time per car (entry/exit) should be calculated and uploaded into cloud.	Transport
27.		21A85A0403		
28.		21A85A0404		
29.		21A85A0401		
30.		21A85A0408		
31.	7	20A81A04D5	Design and implement a home automation system with finger print sensor for authenticity, where all the appliances in the house can be switched (on/off) and	Home Automation
32.		20A81A04F5		
33.		20A81A04D6		

34.		20A81A04I0	controlled(intensity/speed) by Bluetooth controlled device or from a cloud-controlled device. (Any 4 appliances, 4 family members)	
35.		20A81A04G8		
36.	8	20A81A0418	Develop a smart crop monitoring system that takes care of any five analog input parameters like temperature, humidity, air quality, etc. measure them and upload it to the cloud for reference. The whole of operation must be switched on/off through a mobile interface using Bluetooth.	Agriculture
37.		20a81A0456		
38.		20A81A0412		
39.		20A81A0459		
40.		20A81A0450		
41.	9	20A81A1420	Design a Bluetooth and cloud-controlled weather report predictor that gives and displays any five weather parameters on a screen and stores them in cloud for future reference.	Agriculture
42.		21A85A1401		
43.		20A81A1419		
44.		20A81A1458		
45.		20A81A1406		
46.	10	20A81A0409	Develop a cloud controlled/switched smart crop monitoring system that takes care of any five analog input parameters like temperature, humidity, air quality, etc. measure them and upload it to the cloud for future reference.	Agriculture
47.		20A81A0461		
48.		20A81A0444		
49.		20A81A0445		
50.		20A81A0379		
51.	11	21A85A0410	Design and develop a sun tracking system using servo motor. Further, save the elevation angle of the sun with respect to ground in cloud. Also implement automatic street lights control system to minimize human effort and save power.	Smart City
52.		21A85A0414		
53.		20A81A04B9		
54.		21A85A0412		
55.		20A81A0480		
56.	12	20A81A0463	Develop an application-based car locking system, into which the car's ignition can be controlled from a remote location, also the car's location can be located by a tag.	Transport
57.		20A81A0439		
58.		20A81A0420		
59.		20A81A0442		
60.		20A81A1436		
61.	13	20A81A1455	Develop an alert system to prevent accident at zebra crossing gate for low light situations and malfunction of traffic signals and upload the data to cloud and alert the authority's concern.	Transport
62.		20A81A1421		
63.		20A81A1405		
64.		20A81A1447		
65.		20A81A1428		
66.	14	20A81A0406	Develop an IOT based smart restaurant system by including authenticity and ordered dining table number using RFID and update the details of the order and individual in cloud for further reference.	Home Automation
67.		20A81A0425		
68.		20A81A0437		
69.		20A81A0433		
70.		20A81A0413		
71.	15	20A81A0441	Design and develop a solution for farmers to upload irrigation data to the cloud using IOT technology, in order to improve the efficiency and sustainability.	Agriculture
72.		20A81A0458		
73.		20A81A0438		
74.		20A81A1443		
75.		20A81A0440		
76.	16	20A81A0499	Develop a smart-home lock which opens with fingerprints. Alert the owner in case access along with the time of use, and raise an alarm if a confirmation is not received from the	Home Automation
77.		20A81A04B4		
78.		20A81A04C6		

79.		20A81A04C5	owner in a limited time duration.	
80.	17	20A81A0479	Develop an application for accident prevention and car locking system for unauthorized users which gives access to the thief for some time to get into the car. But after some time, it locks the car doors to catch him/her, and stops the car ignition. At the same time, it gives an alert to the owner and informs him/her about the car parameters & location.	Transport
81.		21A85A0409		
82.		21A85A0411		
83.		21A85A0413		
84.		21A85A0415		
85.	18	20A81A0203	Design and develop a solution for patients to upload health data to the cloud using IOT technology, in order to know about patient health status and alert the doctor.	Health care
86.		20A81A0223		
87.		20A81A0215		
88.		20A81A0232		
89.		20A81A0207		
90.	19	20A81A1433	Design and Implementation of a High-Precision Line Following Car with Dynamic wireless Speed Control	Transport
91.		20A81A1437		
92.		20A81A1402		
93.		20A81A1415		
94.	20	20A81A04B2	Design and develop a sun tracking system using servo motor. Further, save the elevation angle of the sun with respect to ground in cloud. Also implement automatic street lights control system to minimize human effort and save power.	Smart City
95.		20A81A0491		
96.		19A81A0466		
97.		20A81A0488		
98.	21	20A81A04C2	Developing an IoT-Enabled Smart Pill Dispenser with Reminder and Notification System for all the situations like emptiness, time bound etc.	Health care
99.		20A81A0485		
100.		20A81A0467		
101.		20A81A0465		
102.		20A81A0476		
103.	22	20A81A0414	Select any five parameters that can be measured in agriculture and save it in blynk and thinkSpeak database. Implement the cloud controlled smart agriculture for optimum utilization of water by measuring the presence of water in soil, and thresholding the air humidity.	Agriculture
104.		20A81A0402		
105.		20A81A0408		
106.		20A81A0427		
107.		20A81A0415		
108.	23	20A81A04A6	Develop an application-based car locking system, into which the car's ignition and door lock system can be controlled by the owner from a remote location, also the car's location can be tracked.	Transport
109.		20A81A0496		
110.		20A81A04A7		
111.		20A81A04A5		
112.		20A81A0490		
113.	24	20A81A1423	Design and implement a home automation system, where all the appliances in the house can be switched(on/off) and controlled(intensity/speed) by Bluetooth controlled device or from a cloud-controlled device. (Any 4 appliances, 4 family members)	Home Automation
114.		20A81A1414		
115.		20A81A0624		
116.		20A81A0602		
117.		20A81A0233		
118.	25	20A81A0410	Develop a smart crop monitoring system that takes care of any five analog input parameters like temperature, humidity, air quality, etc. measure them and upload it to the cloud for reference. The whole of operation must be switched on/off through a mobile interface using cloud and Bluetooth.	Agriculture
119.		20A81A0419		
120.		20A81A0423		
121.		20A81A0449		
122.		20A81A0455		

123.	26	19A81A0455	Develop a smart car parking system which illuminates the bay when there is someone in the bay. This should use minimum energy to give best results. further, the car numbers, time of entry, exit, lights on time, off time, total time of illumination per day, and average illumination time per car (entry/exit) should be calculated.	Smart City
124.		19A81A0422		
125.		19A81A0436		
126.		19A81A0435		
127.	27	20A81A0470	Design a Home security system for motion detection using PIR sensor and also by using Raspberry PI camera and email & what's app the information about the unauthorized.	Home Automation
128.		20A81A0486		
129.		20A81A04B3		
130.		20A81A04B0		
131.		20A81A0498		
132.	28	19A81A04C2	Develop a cloud controlled/switched smart air quality monitoring system that takes care of any five analog input parameters like temperature, humidity, air quality, etc. measure them and upload it to the cloud for future reference and alert your members about the air quality.	Smart city
133.		20A81A04H5		
134.		20A81A04A8		
135.		20A81A04F1		
136.		20A81A0429		
137.	29	20A81A04H2	Select any five parameters that can be measured in agriculture and save it in local database and cloud. Implement the cloud controlled smart agriculture for optimum utilization of water by limiting the water flow.	Agriculture
138.		20A81A04H9		
139.		20A81A04H4		
140.		20A81A04H0		
141.		20A81A04E4		



PRINCIPAL
SRI VASAVI ENGINEERING COLLEGE
PEDATADEPALLI
TADEPALLIGUDEM - 534 101



"IoT2HACK-2K23" List of Winners

S. No.	Event No.	Roll Number	Name of the Student	Project/Innovation given to Student	Position secured	Project/Innovation
1	01	202300002	CHANDRASEKHAR K	Developing an IoT Gateway using the Raspberry Pi4, Arduino Uno, and NodeMCU to connect various sensors to the internet.	1 st Place	IoT Gateway
2		202300003	CHANDRASEKHAR K			
3		202300004	CHANDRASEKHAR K			
4		202300005	CHANDRASEKHAR K			
5		202300006	CHANDRASEKHAR K			
6	02	202300007	CHANDRASEKHAR K	Designed and developed a smart parking system using ultrasonic sensor, which can detect the presence of cars in the car park and provide feedback to the user through a mobile app.	1 st Place	Smart Parking System
7		202300008	CHANDRASEKHAR K			
8		202300009	CHANDRASEKHAR K			
9		202300010	CHANDRASEKHAR K			
10		202300011	CHANDRASEKHAR K			
11	03	202300012	CHANDRASEKHAR K	Developed a smart irrigation system using a microcontroller, which can monitor the soil moisture level and provide feedback to the user through a mobile app.	1 st Place	Smart Irrigation System
12		202300013	CHANDRASEKHAR K			
13		202300014	CHANDRASEKHAR K			
14		202300015	CHANDRASEKHAR K			
15		202300016	CHANDRASEKHAR K			
16	04	202300017	CHANDRASEKHAR K	Developed a smart home automation system using a microcontroller, which can control various home appliances like lights, fans, and air conditioners.	1 st Place	Smart Home Automation System
17		202300018	CHANDRASEKHAR K			
18		202300019	CHANDRASEKHAR K			
19		202300020	CHANDRASEKHAR K			
20		202300021	CHANDRASEKHAR K			
21	05	202300022	CHANDRASEKHAR K	Developed a smart security system using a microcontroller, which can detect intruders and provide feedback to the user through a mobile app.	1 st Place	Smart Security System
22		202300023	CHANDRASEKHAR K			
23		202300024	CHANDRASEKHAR K			
24		202300025	CHANDRASEKHAR K			
25		202300026	CHANDRASEKHAR K			
26	06	202300027	CHANDRASEKHAR K	Developed a smart waste management system using a microcontroller, which can detect the level of waste in a bin and provide feedback to the user through a mobile app.	1 st Place	Smart Waste Management System
27		202300028	CHANDRASEKHAR K			
28		202300029	CHANDRASEKHAR K			
29		202300030	CHANDRASEKHAR K			
30		202300031	CHANDRASEKHAR K			

SRI VASAVI ENGINEERING COLLEGE (AUTONOMOUS)

(Approved by Sri Vasavi Educational Society)

(Approved by AICTE, New Delhi & Recognized by UGC under section 10B & 10BA)

(Permanently affiliated to JYOTI, Jalgaon, Accredited by NBA and AACSB with 'A' Grade)

Technological: TADERALLI@SITEM - 084 101 7010 (Fax: 084 101 7011)



Department of Electronics & Communication Engineering

Certificate of Participation

This is to Certify that Mr/Ms. T. Hema Gopi Krishnamma, with Roll No. 20A91A06 89
from the Department of ECE has Participated in Two-Day Workshop on "Interfacing
With Arduino Secured IoT Position in: 24 Hr Hackathon IOT2HACK-2023 during
8th-11th FEB-2023 Organized by SPACE Club, Department of ECE, Sri Vasavi Engineering
College, Tadypalligudem, under SPICES Scheme Sponsored by AICTE, New Delhi.


CONVENER


PRINCIPAL

SRI VASAVI ENGINEERING COLLEGE (AUTONOMOUS)

(Approved by Sri Vasavi Educational Society)

(Approved by AICTE, New Delhi & Recognized by UGC under section 2(F) & 12(B))

(Permanently affiliated to JNTU, Karnataka. Accredited by NBA and NAAC with 'A' Grade)

Tadepalligudem, TADOPALIGUDEM - 524 111, W.O. Dist. (A.P.)



Department of Electronics & Communication Engineering

Certificate of Participation

This is to Certify that Mr/Ms. V. Sai Eshan Prasanna with Roll No. 20AEE0402 from the Department of ECE has Participated in Two-Day Workshop on "Interfacing With Arduino Secured WiFi Position in: 24 Hr Hackathon IoT2HACK-2K23" during 8th-11th FEB-2023 Organized by SPACE Club, Department of ECE, Sri Vasavi Engineering College, Tadepalligudem, under SPICES Scheme Sponsored by AICTE, New Delhi.


CONVENER


PRINCIPAL

SRI VASAVI ENGINEERING COLLEGE (AUTONOMOUS)

(Approved by Sri Vasavi Educational Society)

Approved by AICTE, New Delhi & Recognized by UGC under section 2(B) & 12(B)

(Technically affiliated to JNTU, Hyderabad. Accredited by TQA and NAAC with 'B' Grade)

Perinthipath, TADIPULLODEM - 684 101, KG. Dist. (A.P)



Department of Electronics & Communication Engineering

Certificate of Participation

This is to Certify that Mr/Ms. A. Sathish with Roll No. 30421A0405
from the Department of ECE has Participated in Two-Day Workshop on "Interfacing
With Arduino/Secured UART Position in "24 Hr.Hackathon IoT/HACK-2K23" during
8th-10th FEB-2023. Organized by SPACE Club, Department of ECE, Sri Vasavi Engineering
College, Tadipulidodem, under SPICES Scheme Sponsored by AICTE, New Delhi.


CONVENER


PRINCIPAL

SRI VASAVI ENGINEERING COLLEGE (AUTONOMOUS)

(Sponsored by Sri Vasavi Educational Society)

(Approved by AICTE, New Delhi & Recognized by UGC under section 2(B) & 2(2)(b))

(Previously affiliated to JNTU, Hyderabad, Accredited by NBA and SAAC with 'A' Grade)

Perinthipatti, TADIPULAGUDEM - 686 101, W.D. Dist. (A.P.)



Department of Electronics & Communication Engineering

Certificate of Participation

This is to Certify that Mr/Ms. A. Pujitha with Roll No. 18A21A0402
from the Department of ECE has Participated in Two-Day Workshop on "Interfacing
With Arduino/Secured WiFi Position in 24 Hr Hackathon, IOT/HACK-2K23" during
8th-11th FEB-2023, Organized by SPACE Club, Department of ECE, Sri Vasavi Engineering
College, Tadipaligudem, under SPICES Scheme Sponsored by AICTE, New Delhi.


CONVENER


PRINCIPAL

SRI VASAVI ENGINEERING COLLEGE (AUTONOMOUS)

(Sponsored by Sri Vasavi Educational Society)

(Approved by AICTE, New Delhi & Recognized by UGC under section 2(B) & 12(B))
(Previously affiliated to JYOTI, Sakinaka, Approved by NBA and NAAC with 'A' Grade)
Tadepalliguda, TADOPALIGUDA - 524 001, Andhra Pradesh (A.P.)



Department of Electronics & Communication Engineering

Certificate of Participation

This is to Certify that Mr/Ms. Ch. Hari Siva Krishna with Roll No. 20A01A0674
from the Department of ECE has Participated in Two-Day Workshop on "Interfacing
With Arduino Secured 1st/11 Position in 24 Hr Hackathon IoT2HACK-2023 during
8th-11th FEB-2023 Organized by SPACE Club, Department of ECE, Sri Vasavi Engineering
College, Tadepalligudem, under SPICES Scheme Sponsored by AICTE, New Delhi.

K. Srinivas
CONVENER

P. Srinivas
PRINCIPAL

SRI VASAVI ENGINEERING COLLEGE (AUTONOMOUS)

(Sponsored by Sri Vasavi Educational Society)

(Approved by AICTE, New Delhi & Recognized by UGC under section 2(b) & 12(B)
(Recognized affiliated to JNTU, Hyderabad, Approved by NBA and NAAC with 'B' Grade)

Perthambur, TIRUPALATIPODI - 504 301, W.G. Dist. (A.P.)



Department of Electronics & Communication Engineering

Certificate of Participation

This is to Certify that Mr/Ms. G. Gurthi Ranya Sri with Roll No. 20A31AG616
from the Department of ECE has Participated in Two-Day Workshop on "Interfacing
With Arduino/Secured IoT Position in: 24 Hr.Hackathon IoT/HACK-2K23" during
8th-11th, FEB-2023, Organized by SPACE Club, Department of ECE, Sri Vasavi Engineering
College, Tadepalligudem, under SPICES Scheme Sponsored by AICTE, New Delhi.


CONVENER


PRINCIPAL

SRI VASAVI ENGINEERING COLLEGE (AUTONOMOUS)

(Approved by Sri Vasavi Educational Society)

(Approved by AICTE, New Delhi & Recognized by UGC under Section 2(F) & 12(B))

(Instruments attached to PVVE, Karnataka. Accredited by NBA and NAAC with 'B' Grade)

Postgraduate, TADIPULACODEN - 524 341, W.G. Dist. (A.P.)



Department of Electronics & Communication Engineering

Certificate of Participation

This is to Certify that Mr/Ms. Siddi Vinayaka Thota with Roll No. 20A12AS016
from the Department of EE has participated in Two-Day Workshop on "Interfacing
With Arduino/Secured 11111 Position in 24 Hackathon IoT2HACK-2K23 during
8th-11th FEB-2023 Organized by SPACE Club, Department of ECE, Sri Vasavi Engineering
College, Tadipulacodem, under SPICES Scheme Sponsored by AICTE, New Delhi.


CONVENER


PRINCIPAL

SRI VASAVI ENGINEERING COLLEGE (AUTONOMOUS)

(Sponsored by Sri Vasavi Educational Society)

(Approved by AICTE, New Delhi & Recognized by UGC under sections 2(B) & 12(B))

(Permanently affiliated to JYU, Karnataka, Accredited by NBA and NAAC with 'A' Grade)

Tadepalligudem, TADUPALLIGUDEM - 524 101, M.D. Dist. (A.P.)



Department of Electronics & Communication Engineering

Certificate of Participation

This is to Certify that Mr/Ms. M. Vishu Vardhan with Roll No. 21A15AD010
from the Department of ECE has Participated in Two-Day Workshop on "Interfacing
With Arduino Secured WiFi Position in 24 Hr Hackathon IoT/HACK-2K23" during
8th-10th FEB-2023 Organized by SPACE Club, Department of ECE, Sri Vasavi Engineering
College, Tadepalligudem, under SPICES Scheme Sponsored by AICTE, New Delhi


CONVENER


PRINCIPAL



SRI VASAVI ENGINEERING COLLEGE (AUTONOMOUS)

(Sponsored by Sri Vasavi Educational Society)
Approved by AICTE, New Delhi & Recognized by UGC under sections 2(B) & 12(B)
(Permanently affiliated to JNTU, Karnataka, Approved by FEA and NAAC with 'B' Grade)
Tadepalligudem, TADIPALLIGUDDEM - 524 301, TELANGANA (A.P.)



Department of Electronics & Communication Engineering

Certificate of Participation

This is to Certify that Mr/Ms. M. Karthick with Roll No. 21AEEA0472
from the Department of ECE has Participated in Two-Day Workshop on "Interfacing
With Arduino Secured WiFi, Position in: 24 Hr.Hackathon IoT/HACK-2K23 during
8th-11th, FEB-2023, Organized by SPACE Club, Department of ECE, Sri Vasavi Engineering
College, Tadepalligudem, under SPICES Scheme Sponsored by AICTE, New Delhi.


CONVENER


PRINCIPAL

SRI VASAVI ENGINEERING COLLEGE (AUTONOMOUS)

(Sponsored by Sri Vasavi Educational Society)

(Approved by AICTE, New Delhi & Recognized by UGC under section 2(F) & 12(B))

(Permanently affiliated to JYOTI, Kuvempu, Accredited by NBA and NAAC with 'A' Grade)

Technological PEDDANALIGUDEM - 524 101, W.G. Road, (A.P.)



Department of Electronics & Communication Engineering

Certificate of Participation

This is to Certify that Mr/Ms. T. Sai Rana Das with Roll No: 21A95A0414
from the Department of ECE has Participated in Two-Day Workshop on "Interfacing
With Arduino/Secured IOT/III Position in 24 Hr Hackathon IOT/HACK-2K23" during
8th-11th FEB-2023, Organized by SPACE Club, Department of ECE, Sri Vasavi Engineering
College, Tadepalligudem, under SPICES Scheme Sponsored by AICTE, New Delhi.


CONVENER


PRINCIPAL



"IoT2HACK-2K23" List of Winners

S. No.	Work No.	Roll Number	Name of the Student	Project/Innovation given to Student	Position secured	Project/Innovation
1	01	20210402	VEDANTH K	Developing an IoT Gateway using the Raspberry Pi4, Arduino and NodeMCU to monitor the temperature, humidity, and moisture.	1 st Place	IoT Gateway
2		20210403	VEDANTH K			
3		20210404	VEDANTH K			
4		20210405	VEDANTH K			
5		20210406	VEDANTH K			
6	02	20210407	VEDANTH K	Designed and developed a smart parking system using ultrasonic sensor, which can detect the occupancy of the car with respect to ground level. Also implemented a cloud database to store the data.	1 st Place	Smart Parking System
7		20210408	VEDANTH K			
8		20210409	VEDANTH K			
9		20210410	VEDANTH K			
10		20210411	VEDANTH K			
11	03	20210412	VEDANTH K	Developed a smart irrigation system using ultrasonic sensor, which can detect the soil moisture level and control the water pump accordingly.	1 st Place	Smart Irrigation System
12		20210413	VEDANTH K			
13		20210414	VEDANTH K			
14		20210415	VEDANTH K			
15		20210416	VEDANTH K			
16	04	20210417	VEDANTH K	IoT based Home Automation using ESP8266 based Web Interface	1 st Place	IoT based Home Automation
17		20210418	VEDANTH K			
18		20210419	VEDANTH K			
19		20210420	VEDANTH K			
20		20210421	VEDANTH K			
21	05	20210422	VEDANTH K	Developed a smart door lock system using ultrasonic sensor, which can detect the presence of the user and control the door lock accordingly.	1 st Place	Smart Door Lock System
22		20210423	VEDANTH K			
23		20210424	VEDANTH K			
24		20210425	VEDANTH K			
25		20210426	VEDANTH K			



ACADEMIC YEAR 2022-23
HACKOVERFLOW 2K23

Ref.No: SVEC/CSE/2022-23/II Sem/Circular/ 56

Date: 04/01/2023

Circular

All the B.Tech Students are hereby informed that the Department of CSE is conducting **24 Hrs HACKATHON Powered by The CAFE Technical Club under SCUD on 06/01/2023 (Friday) from 10:00 AM to 07/01/2023 (Saturday) 10.00 AM.** Participants will get participation certificates and winners will get attractive cash prizes. Registrations will be opened from 04-01-2023 ,03:00 PM onwards, for further details check the following link:

<https://bit.ly/hackoverflow2k23>

Outcomes:

The students will be able to

- Design various Applications by using present trends(K6)
- Demonstrate their designed applications (K3)



Head of the Department

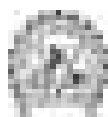


Vision: To evolve as a centre of academic and research excellence in the area of Computer Science and Engineering.

Mission: To utilize innovative learning methods for academic improvement.

To encourage higher studies and research to meet the futuristic requirements of Computer Science and Engineering.

To inculcate Ethics and Human values for developing students with good character.



Date:07/01/2023

HackOverflow 2k23 in Association with SCUD VERVE
Winners List (Usecase: Health Care)

S.No.	Team Number along with Project Name	TEAM DETAILS
1st Prize	TEAM-26 (Tutee Health Web)	i) 21A81A0657 P.Praneetha CST -II Yr. ii) 21A81A0648 N.HariVyshnavi CST -II Yr. iii) 21A81A0631 K.Anusha CST -II Yr. iv) 21A81A0506 B.Sujana CSE -II Yr. v) 21A81A0533 N.Sai Devi CSE -II Yr.
2nd Prize	TEAM-50 (Sri Vasavi Blood Bank)	i) 20A81A0588 Kalaga Venkata Sri Mounika CSE IIIYr ii) 20A81A05A3 Mutta Harshitha CSE IIIYr iii) 20A81A05A4 Mutta Karthik Pattabhi Rama Rao CSEIIIYr iv) 20A81A0572 Charugalla Veera Bhadra Gupta CSE III YEAR v) 20A81A0589 KappalaSubba Rao CSE III YEAR
3rd Prize	TEAM-06 (Health Tracking)	i) 21A81A4336 Narapareddy Nagendra CAI – II Yr ii) 21A81A4355 Shaik Wasim akram CAI -IIYr iii) 21A81A4308 Rama Krishna Baranikapula CAI -II Yr iv) 21A81A4359 Urla Hemanth Rahul CAI -II Yr v) 21A81A4340 Anil kumarpamarthi CAI -II Yr
Consolation Prize	TEAM-62 (Vasavi Health Care)	i) 20A81A05C1 TontaAnjibabu CSE-III Yr ii) 20A81A0598 Mariseti Poorna Sai Kishore CSE-III Yr iii) 20A81A0574 Chitakani Gowtham Kumar CSE -III Yr iv) 20A81A05A6 Namana Satya Sai Durga Pavan CSE III Yr v) 20A81A0585 GurajalaRudhresh Kumar CSE IIIYr

Vision: To evolve as a centre of academic and research excellence in the area of Computer Science and Engineering.

Mission: To utilize innovative learning methods for academic improvement.

To encourage higher studies and research to meet the futuristic requirements of Computer Science and Engineering.

To inculcate Ethics and Human values for developing students with good character.



Our Technical Director Sir addressing the participants of Hackoverflow2k23 to enhance their skills.



Our President Sir addressing the participants in Hackoverflow2k23

Vision: To evolve as a centre of academic and research excellence in the area of Computer Science and Engineering.

Mission: To utilize innovative learning methods for academic improvement.

To encourage higher studies and research to meet the futuristic requirements of Computer Science and Engineering.

To inculcate Ethics and Human values for developing students with good character.



Students are actively participated and show their talents in Hackoverflow2k23



Students are explaining their use case interface design to faculty in Hackoverflow2k23.

Vision: To evolve as a centre of academic and research excellence in the area of Computer Science and Engineering.

Mission: To utilize innovative learning methods for academic improvement.

To encourage higher studies and research to meet the futuristic requirements of Computer Science and Engineering.

To inculcate Ethics and Human values for developing students with good character.



Students are explaining their use case interface design to faculty in Hackoverflow2k23.



Students are presenting their application in Hackoverflow2k23.

Vision: To evolve as a centre of academic and research excellence in the area of Computer Science and Engineering.

Mission: To utilize innovative learning methods for academic improvement.

To encourage higher studies and research to meet the futuristic requirements of Computer Science and Engineering.

To inculcate Ethics and Human values for developing students with good character.



Distribution of certificates to the winners in Hackoverflow 2k23


PRINCIPAL
SRI VASAVI ENGINEERING COLLEGE
PEDATADEPALLI
TADEPALLIGUDEM - 534 101

Vision: To evolve as a centre of academic and research excellence in the area of Computer Science and Engineering.

Mission: To utilize innovative learning methods for academic improvement.

To encourage higher studies and research to meet the futuristic requirements of Computer Science and Engineering.

To inculcate Ethics and Human values for developing students with good character.



Sri Vasavi Engineering College (Autonomous)

(Sponsored by Sri Vasavi Educational Society)

(Approved by AICTE, New Delhi & Permanently affiliated to JNTUK, Kakinada) (Accredited by NBA & NAAC with 'A' Grade, Recognized by UGC Under Section 2(f) & 12(B))

Pedatadepalli, Tadepalligudem, W.G.Dt, A.P-534101

DEPARTMENT OF MECHANICAL ENGINEERING

Tadepalligudem
27-05-2022

To
The Principal,
Sri Vasavi Engineering College,
Tadepalligudem - 534101

9/11/17
10/1
27/5/22

Respected Sir,

Sub: Permission to conduct a two day CAD Hackathon in the name of our college -eq.

With regard to the subject stated above we would like to conduct a two day CAD Hackathon under FAME (Federation Association of Mechanical Engineering) in the name of our college, especially 1st & 2nd year students. In this regard, we request your permission to allow us to use the facilities and resources of college on 10-0-2022 (Friday) & 11-0-2022 (Saturday). A nominal registration fee will be collected, which will be used as prize money to top three teams. Mr. K.C. S. Vyasa Krishnaji and T.R.R. Krishna will coordinate the event.

Thanks & regards,

Yours sincerely,

Head - Mechanical

Head of the Department
Mechanical Engineering
Sri Vasavi Engineering College
TADEPALLIGUDDEM, W.G.DT

Tadepalligudi,

20/06/2022

To
The Principal,
Sri Yessu Engineering College,
Tadepalligudi,
Tadepalligudi.

Conduct ME
- CAD
20/06/22

Re:


Sub: Requestion for meals and lunch for CAD Workshop participants req

Kindly arrange to provide meals and lunch for the CAD Workshop participants as per the details given below.

S.No	Date	Meals (PM)	Lunch	Meals (AM)
1	20.06.2022 (Monday)	30	50	30

Thanking you,

Yours sincerely



HOD- ME

Head of the Department
Mechanical Engineering
Sri Yessu Engineering College
TADEPALLIGUDI-5H 161

A Fun Day CAD Hackathon
On 28th & 29th – June 2022




Organized by
MECHANICAL ENGINEERING DEPARTMENT
— and —
VIT-VEP (Vellore Institute of Technology)

VIT Vellore Engineering College (Autonomous)
Sponsored by VIT Vellore Educational Society
Department of Mechanical Engineering, VIT-VEP
Vellore, Tamil Nadu, 690019, VIT-VEP-2022

Secondary Information:

- ➔ Registration fee – 1000/- per person – 1000/- per team
- ➔ All participants should register through online mode using the registration link.
- ➔ Certificate for registration is provided.
- ➔ All the participants should prepare well & well aware about all the details about the contest.
- ➔ Students & faculty members of all colleges who are interested can
- ➔ The organizers will give complete information of the contest during the Hackathon registration. All the details regarding the Hackathon registration will be given through e-mail.
- ➔ The details of the contest are given below.
- ➔ Participants should not be given in the previous.
- ➔ Group Hackathon

For further details please contact:
 VIT-VEP (Vellore Institute of Technology)
 Mechanical Engineering Department
 VIT Vellore Engineering College
 VIT-VEP (Vellore Institute of Technology)
 VIT Vellore
 Mechanical Engineering Department
 VIT Vellore Engineering College
 VIT-VEP (Vellore Institute of Technology)
 VIT Vellore

Objectives:
 To Develop the participants
 To Develop the participants
 To Develop the participants
 To Develop the participants
 To Develop the participants

Eligibility:
 All the students of VIT Vellore Engineering College
 All the students of VIT Vellore Engineering College
 All the students of VIT Vellore Engineering College
 All the students of VIT Vellore Engineering College
 All the students of VIT Vellore Engineering College

Registration:
<https://www.vit.edu/academic/department-of-mechanical-engineering>



Sri Vasavi Engineering College (Autonomous)

Established by Sri Vasavi Educational Society
Approved by AICTE, New Delhi & Affiliated to Anna University,
Chennai by MCA & AEC, New Delhi
Produce Road, Tiruchurur, K.T.K. 677 009



Department of Mechanical Engineering



CAD HACKATHON 18TH & 19TH JUNE, 2022

REGISTRATION DETAILS:-
STRENGTH OF TEAM - 4 MEMBERS
100/- EACH
400/- PER TEAM

SOFTWARE : AUTOCAD 2017



TECHNICAL
DR. MURUGANATHAN
TECHNICAL

DR. SURESHKANTH R. C. 2020-2021
TECHNICAL & COORDINATOR

DR. G. S. SURESH
TECHNICAL OFFICER

TECHNICAL

DR. S. V. R. S. S. SURESHKANTH
TECHNICAL

DR. N. S. SURESH

TECHNICAL & COORDINATOR

TECHNICAL


R. S. S. SURESHKANTH
TECHNICAL OFFICER

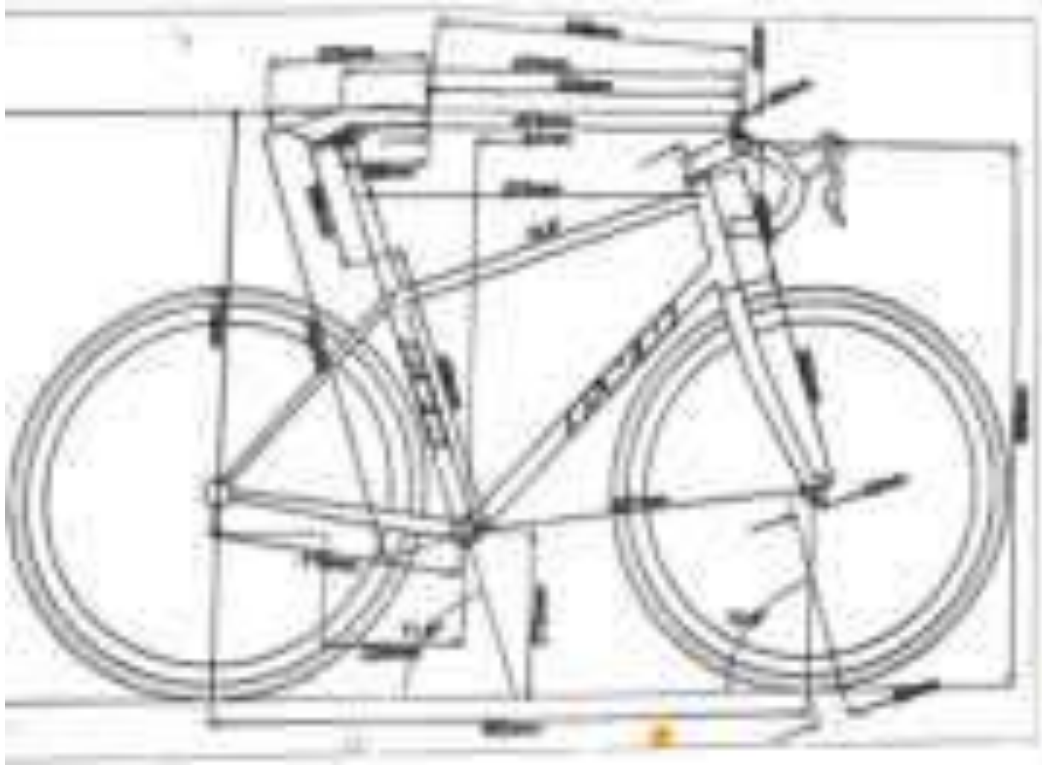
C. S. S. SURESH
TECHNICAL OFFICER

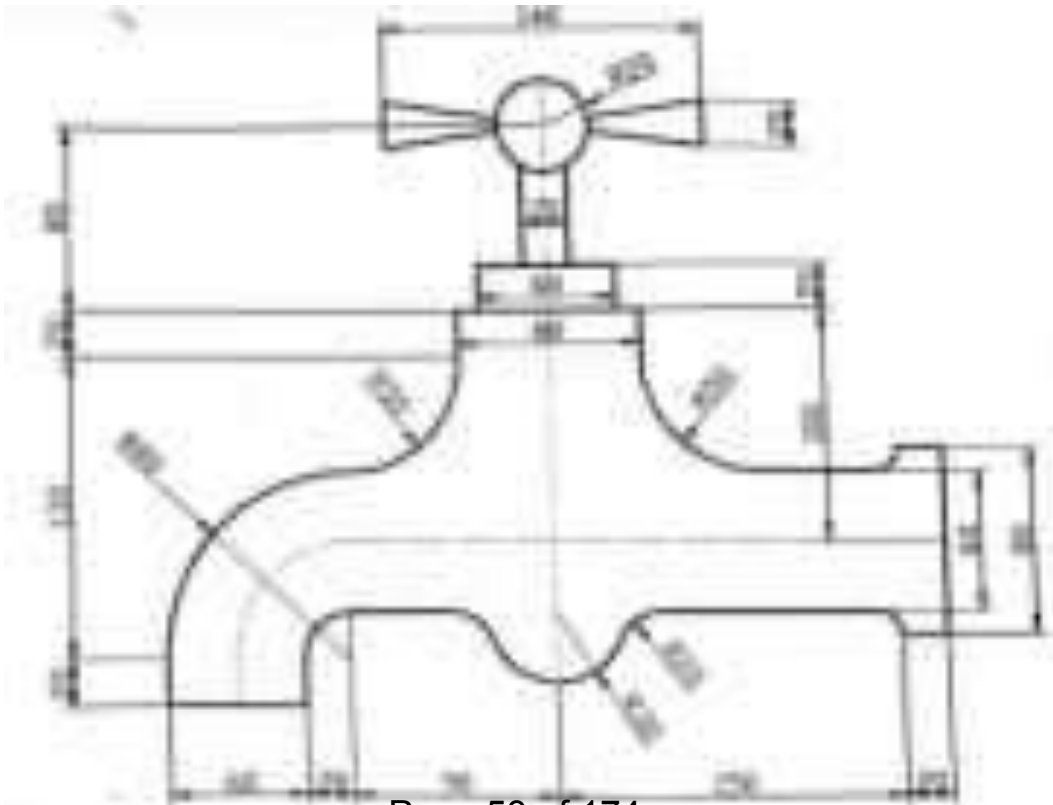
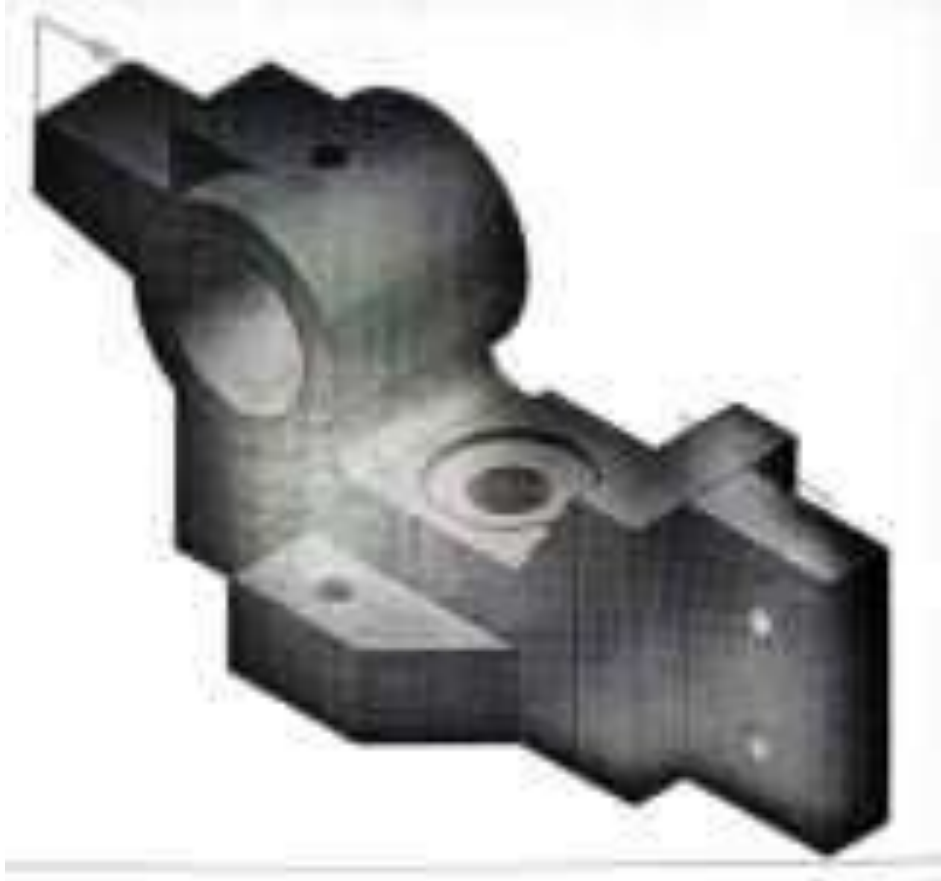
CAD HACKATHON PARTICIPANTS LIST – 18-06-2022		
S.NO.	NAME	ROLL NUMBER
1	IMMALLARAJU SRI SAIKRISHNAMRAJU	20A85A0317
2	MOHAMMAD ABDUL HANEEF	20A85A0333
3	MIRIYALA VAMSI VIJAYA SAI SRINIVAS	20A85A0332
4	PALAKA JOHN VINAY KUMAR	20A85A0338
5	TIRUMALA ANUSHA	21A81A1462
6	MARISSETTI SHARMILA	21A81A1438
7	YARLAGADDA YEKAVARNIKA	20A81A0564
8	MUNGARA SATWIKA VARSHINI	20A81A0633
9	KATTUNGA A N S SUBRAHMANYAM	21A81A1425
10	KARRI BHUVANESWARI	20A81A0523
11	JAKKAMSETTI BINDU MADHAVI	20A81A0521
12	VELICHETI SRI HARSHITA SAI SUSHMA SRI	20A81A0659
13	PACHIPULUSU AMRUTHA	20A81A0640
14	YALLABANDI LEKHYA NAGA SAI	20A81A0661
15	VETSA N V S S V MAHITA	20A81A0660
16	MATTHE YASWANATH SAI	21A81A1439
17	M.ROHITH SRI NAGA SAI	21A81A1441
18	AMUJURI VEERA NAGU KUMARA SWAMY	21A81A1403
19	MAHIMAJYOTHI NANDIVADA	21A85A0603
20	K SURYA GANESH	20A81A0318
21	SHAIK MASTAN VALI	20A81A0343
22	GAMPA LEELA GOPALA DURGA VARA PRASAD	21A85A0303
23	THORATI LAKSHMI SIRISHA	20A81A0656
24	EMANI NVD PADMA PRASANNA	20A81A0614
25	K.SAI TEJASWI	20A81A0624
26	RACHAKONDA MONIKA	21A81A1452
27	PICHIKALA CHANDRA MOUNIKA	20A81A0647
28	CHINTA SUDEEPTHI	20A81A0633
29	MATURU PRANEETH	20a81a0632
30	NAMBURI SRI KRISHNA PRANEETH GANDHI	20A81A0636
31	PUJITHA GANGOLU	20A81A0514
32	NAVYA SOWJANYA KOTA	20A81A0527
33	PEDDINTI KRISHNA AASHRITH	20A81A0646
34	RECHAL JAWAHAR GOLI	20A81A0516
35	NEKURI JOTHIBABU	20A81A0638
36	VICTOR CYRUS	20A81A0616
37	CHARISHMA PENUMAKA	20A81A0543
38	SEERLA SATYA SAI TEJA	20A81A0653
39	MUTYALASAIBABU SAIBABU	21A81A0338
40	UMA DURGA PRASAD CHITTUDI	21A81A0108
41	M.KALYAN	21A81A1434
42	ANANDAM SUSHMA	20A81A0602
43	RESHMA SRI YADLA	20A81A04J0

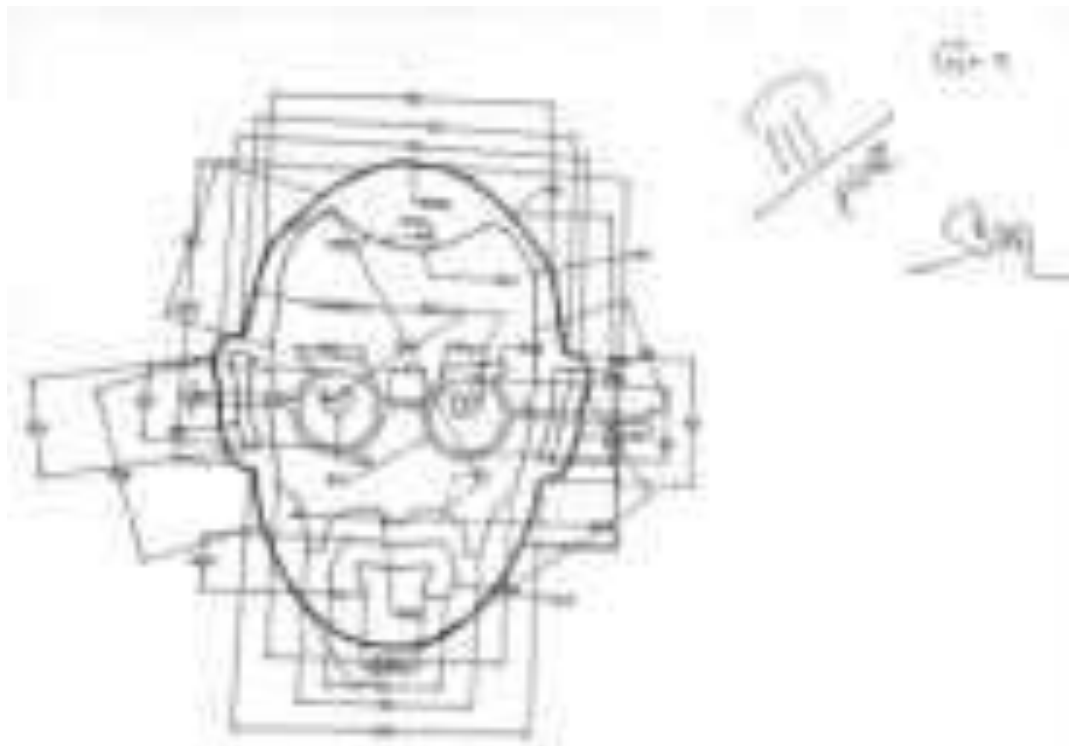
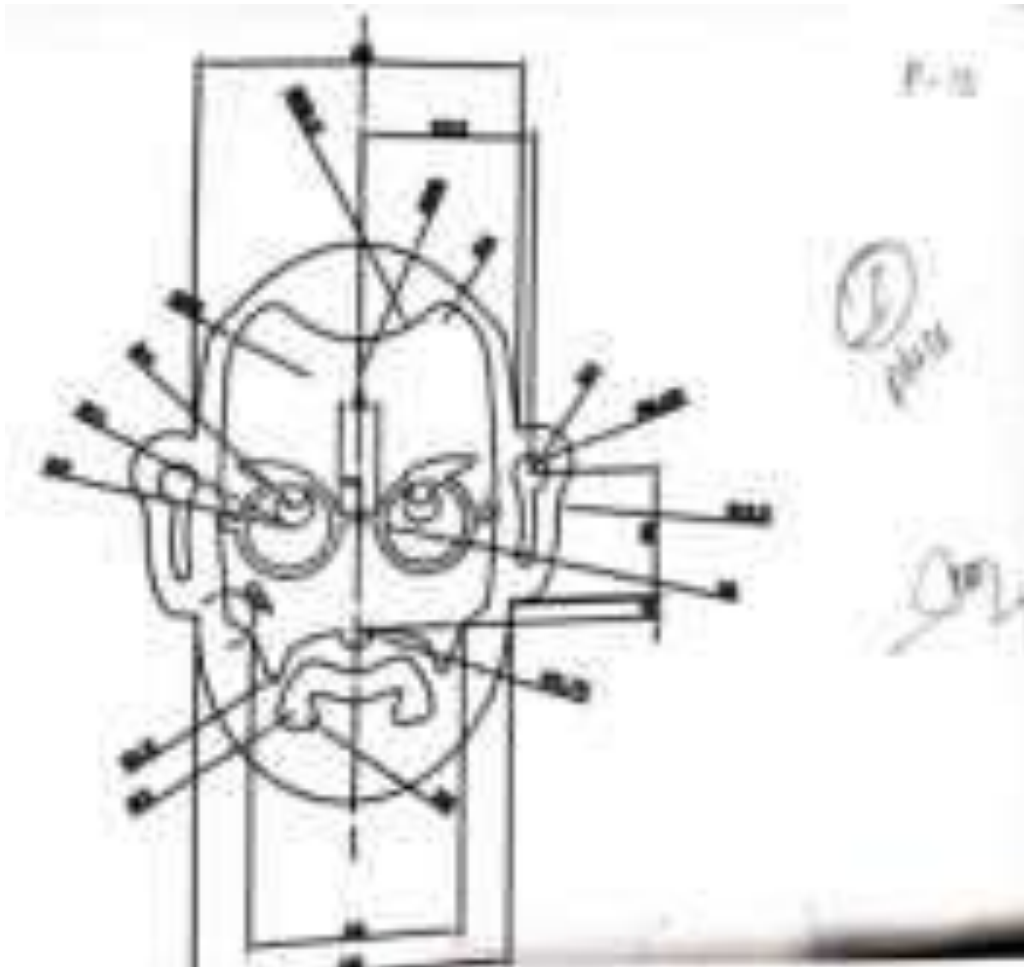
44	RAMYA KRISHNA GOKAVARAPU	20A81A04D9
45	DHANA LAKSHMI VENDRA	20A81A04I8
46	KAVYA SRI LAKSHMI MERLA	20A81A04F9
47	ANITHA ISWARYA GUDAPATI	20A81A04E1
48	DEVI SUCHARITHA TAMADI	20A81A04H6
49	GURUGUBELLI RAJYALAKSHMI	20A81A04E4
50	MADEM UMA VENKATA SAI	21A85A0308
51	RATNA KUMARI ROKKAM	20A81A04H0
52	MUDAPAKA GOWTHAM K S S S B M S KUMAR	21A85A0310
53	CHAKRADHAR GAJJARAPU	21A85A0302
54	NITHIN REDDY PAPPU	21A85A0344
55	MUTHYALA ROHITH KAMAL	21A85A0311
56	DEVADATHATHREYA PAIDI	21A85A0312
57	NITHIN SANKAR	20A81A0141
58	AKURATHI JAYAKRISHNA	21A85A0101
59	CHANDU ANDUGULA	20A81A0102
60	SASI KUMAR PONNA	20A81A0135
61	TENNETI BHANU PUSHPARAJ	21A85A0120
62	M.JOHN VIJAY	20A81A0130
63	PODURI ADI GANAPATHI	20A81A0134
64	PONNADA HARSHITH	20A81A0136
65	Y.CHANDRA SEKHAR	20A81A0145
66	VIJJU DHANA DEEPTHIKA DEVI	20A81A0245
67	MADDIPATI SRAVYA NAGA SAI SRI	20A81A0222
68	PAPPOPPULA PRIYANKA LAKSHMI SAI	20A81A0233
69	ADAPA BHAVYA SRI CHANDANA	20A81A0201
70	KETHA BHANU	20A81A0217
71	VASUKURI KOHIMA LAKSHMI DURGA SAMYUKTHA	20A81A0243
72	P.YESASRI	20A81A0235
73	A.MOHAN	20A81A0101
74	PASUPULETI HEMA NAGA SIVA SATYA SAI PAVAN KUMAR	20A81A0234
75	THOTA VENKATA SRINIVAS	20A81A0241
76	K.PRASANNA	20A81A0216
77	BAYYA TEJASWINI YADAV	20A81A0605
78	PULAGAM GANESH SAI KUMAR	20A81A0237
79	ERICHERALA AKHIL	20A81A0615
80	KRISHNAPURAPU GNANESHWAR	20A81A0625
81	SRI LAKSHMI SWETHA	20A81A0620
82	YALLABANDI MANASI	20A81A0662
83	KONAKALLA. BHUVANESWAR	20A81A0623
84	YARRAMSETTI VENKATA SRI VARSHA	20A81A0664
85	MADETI JYOTHI SAI SIRI	20A81A0629
86	BANDI CHAKRAVARTHI	20A81A0604
87	GUDALA SAI SWETHA	20A81A0617
88	G.DEVI	20A81A0582
89	GUDURI RENUKA DEVI	20A81A0517
90	YALLAVULA CHANDINI	20A81A05C9
91	GUNDAY ANVITHA RAJ	20A81A0518

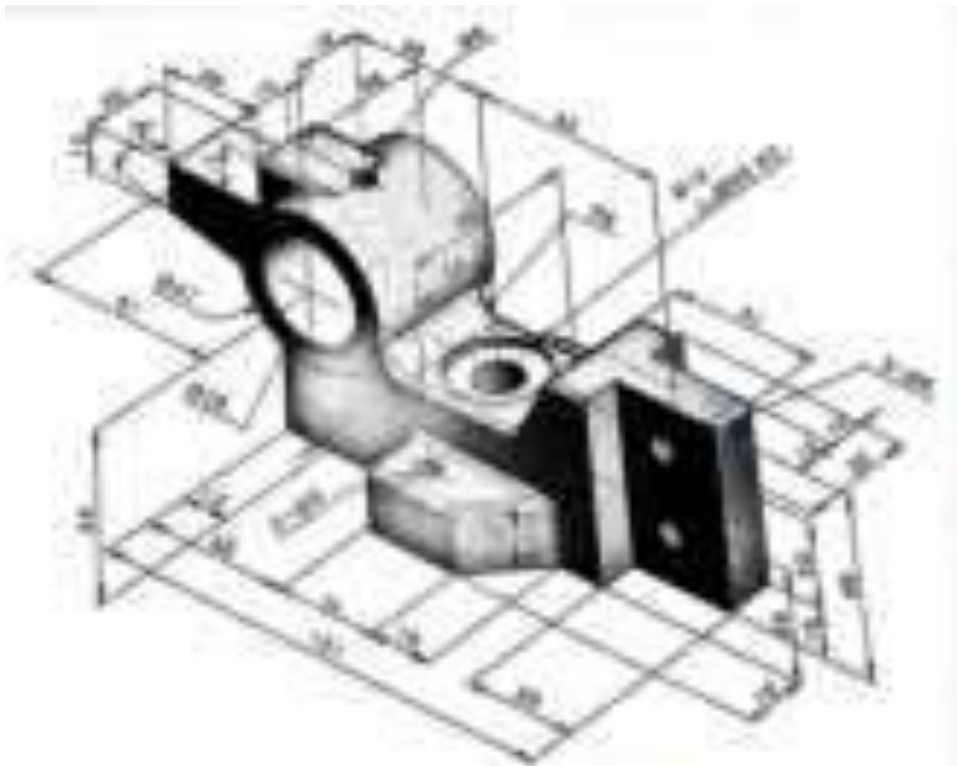
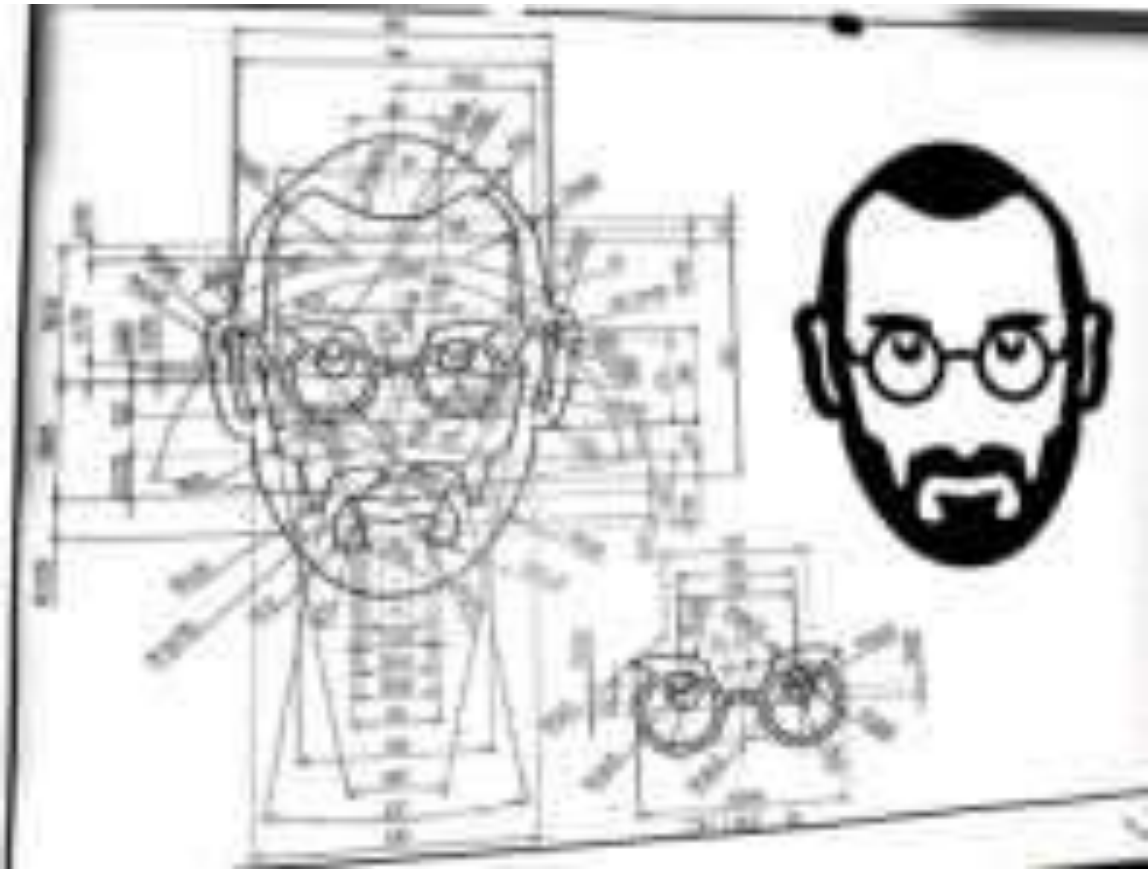
92	PATHURI JUSMITHA	20A81A0642
93	MADDU VATSALYA	20A81A0628
94	PERICHARLA GEETHIKA VARMA	20A81A05B1
95	KAKARAPARTHI NAGASAI VIJAYA DURGA	20A81A0587
96	YALLAVULA CHANDINI	20A81A05C9
97	G.DEVI	20A81A0582
98	PERICHARLA GEETHIKA VARMA	20A81A05B1
99	M.VAMSI MANOHAR	21A81A1436
100	VPRAVEEN	21A81A1464
101	S.CHANDRIKA	21A81A04B8
102	K.SURYA KUMARI	21A81A0491
103	B.AMBIKA DEVI	21A81A0474
104	P.M.PRAVALLIKA	21A81A04B0
105	EGALAPATI HARI VENKATA SRI SAI	20A81A0613
106	KATTULA NAVEEN TEJA	20A81A0621
107	P.DIVYA PAVANI	20A81A0539
108	K.U.S.SATYA SRI	20A81A0526
109	KOLLA MANASA DEVI	20A81A0525
110	PALIVELA ROHITHA	20A81A0540
111	ELURI HARIKA	20A81A0513
112	B.C.S MOUNIKA	20A81A0505

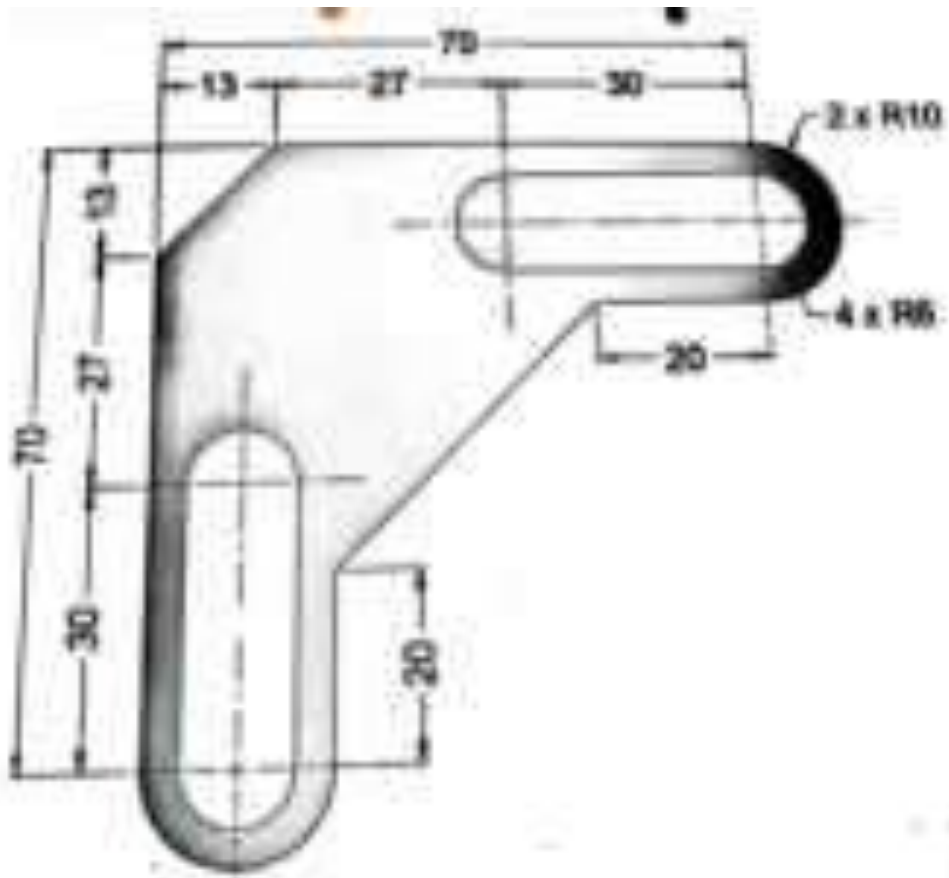
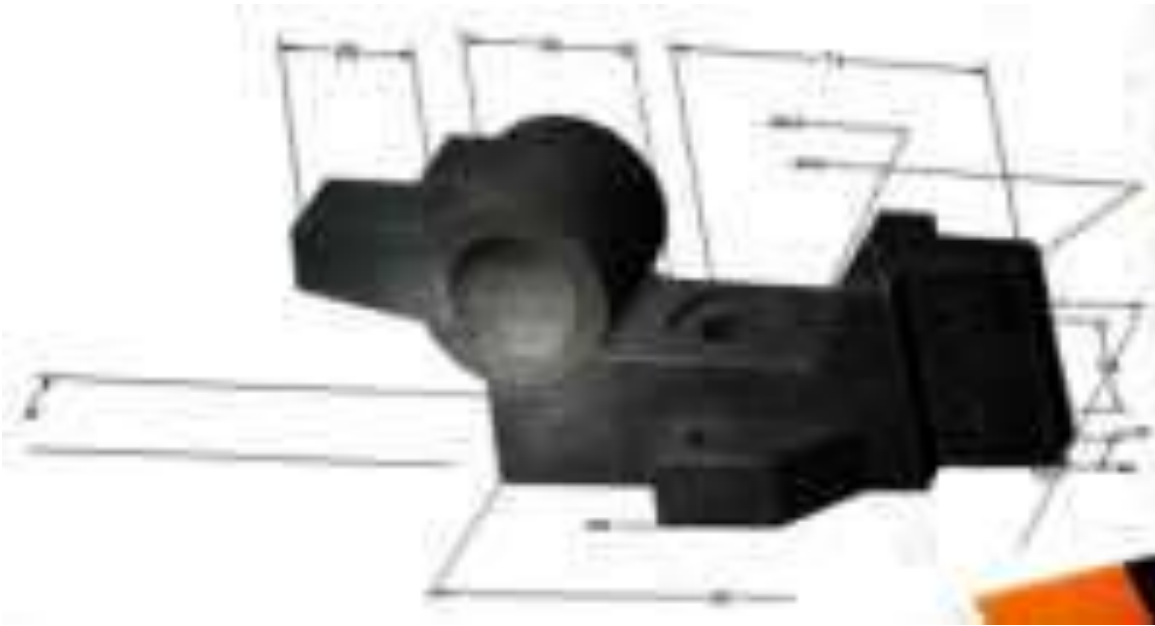

PRINCIPAL
SRI VASAVI ENGINEERING COLLEGE
PEDATADEPALLI
TADEPALLIGUDEM - 534 101

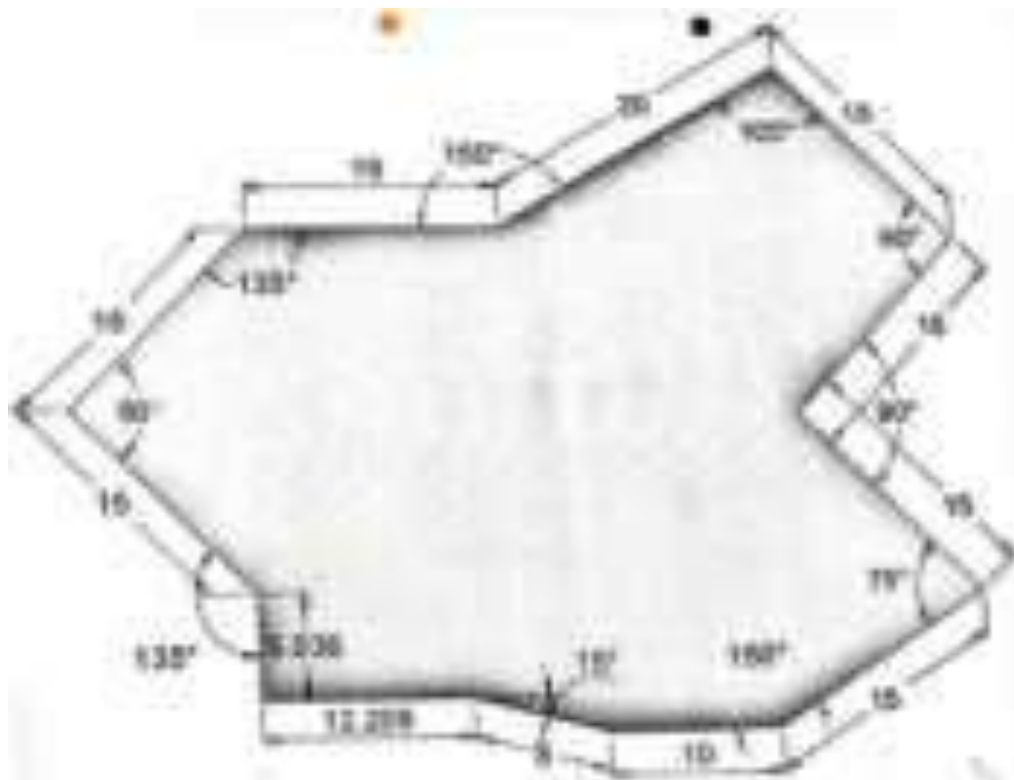
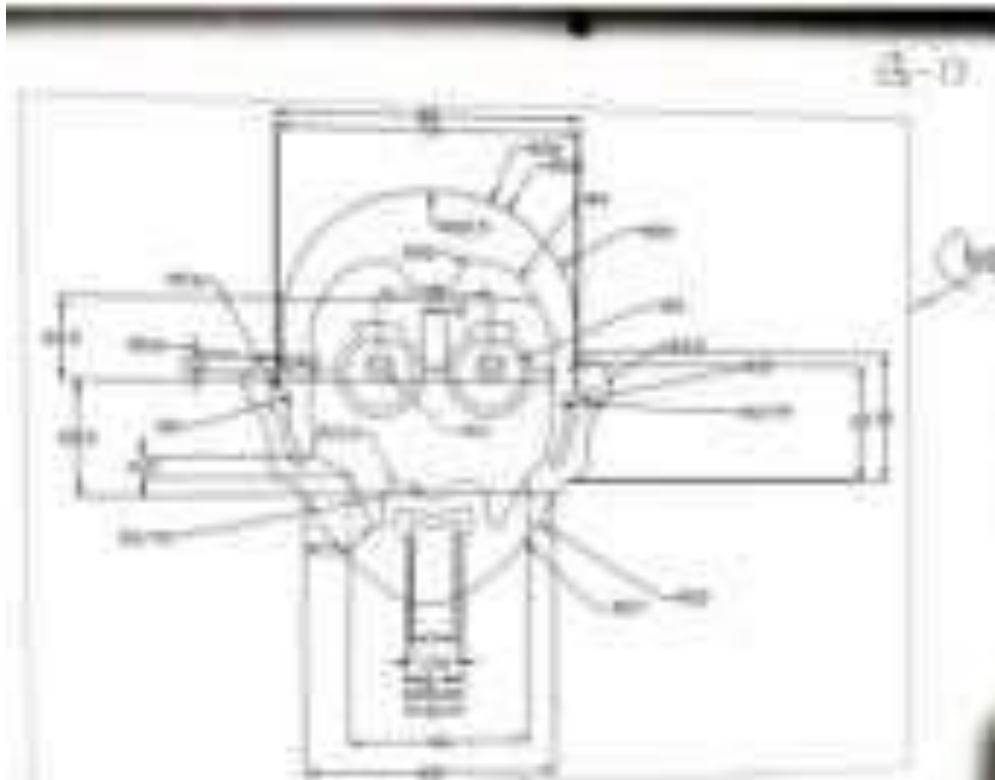


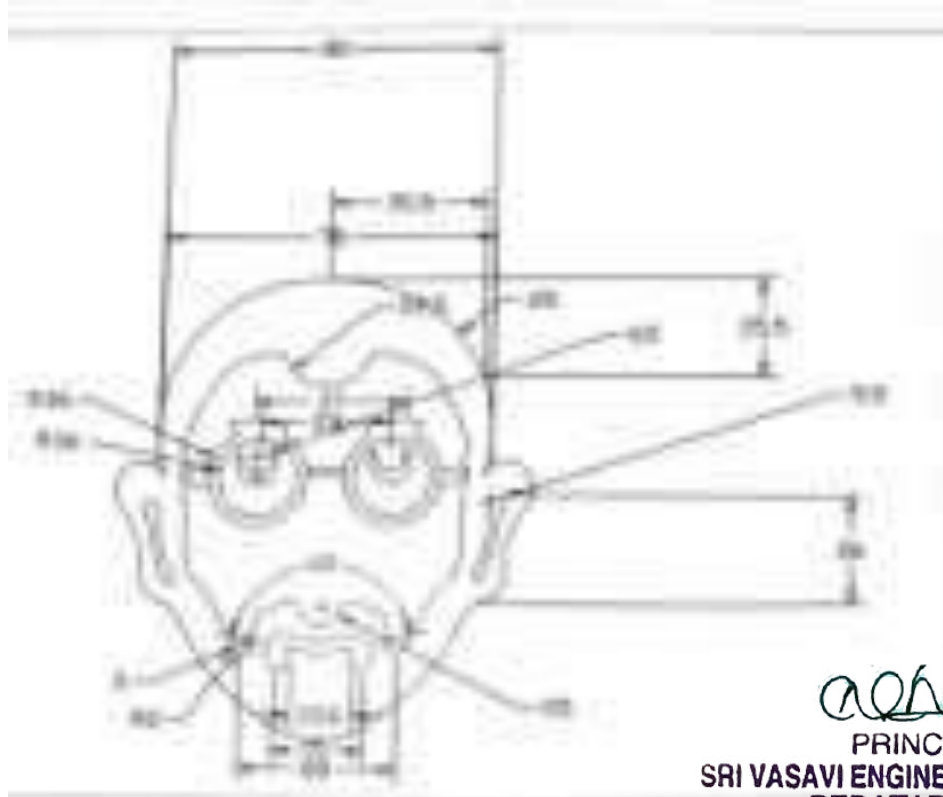
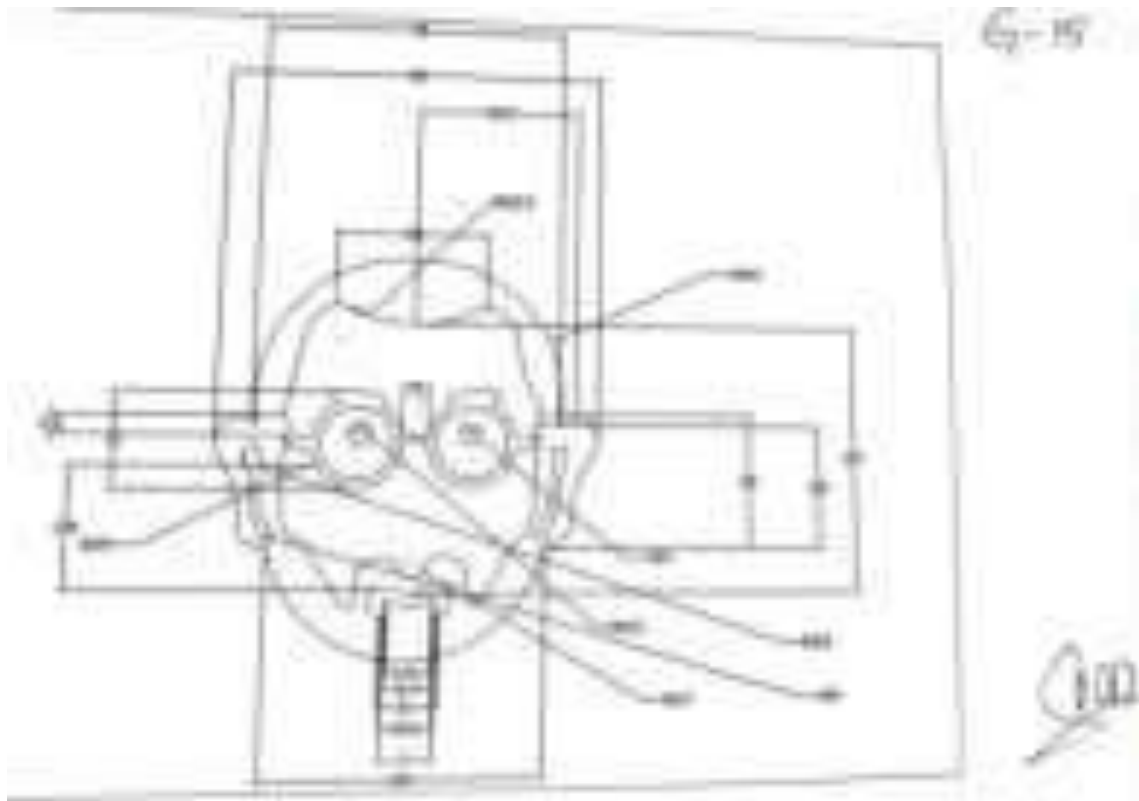












Principals
 PRINCIPAL
 SRI VASAVI ENGINEERING COLLEGE
 PEDATADEPALLI
 TADEPALLIGUDEM - 534 101



Sri Vasavi Engineering College (Autonomous)
 Sponsored by Sri Vasavi Educational Society,
 (Approved by AICTE, permanently affiliated to JNTUK, Kakinaada)
 Pedatadepehi, Tadepalligudem, 534101, W.G. Dist. (A.P)

MECHANICAL ENGINEERING DEPARTMENT

IAME (Institution Association of Mechanical Engineering)

CAD HACKATHON FINALISTS - 18-06-2022

S. NO.	TEAM MEMBER	AGE	PARTICIPANTS NAME & ROLL NUMBER			
1	P-12	08	DEVIKANTH MALLARAJU SR KOTTHARAJU	DEVIKANTH DALA JITHU RAJU	DEVIKANTH MADHUKAR REDD MARE	DEVIKANTH MUTULA RAMU RAJU SR SREKANTH
2	P-14	04	MEENAKA DEVTYAM S S SR M SURESH	DEVIKANTH DAMPALEELA SORALA SURJA VARA PRASAD	DEVIKANTH SALAMATI CHAKRABORTY	DEVIKANTH MADHUKAR VENKATA SR SREKANTH
3	09	08	DEVIKANTH SUNITHA JITHENDRA	DEVIKANTH DANTULA JANA SURJA PRASAD	DEVIKANTH MUTULA SAI RAMU	DEVIKANTH VEERABATHULA CHANDRA SR SREKANTH
4	0-14	08	DEVIKANTH MUTULA PRASANTH	DEVIKANTH SANKARU SR VEDHRA PRASANTH SAI SR	DEVIKANTH BINO CHAKRABORTY	DEVIKANTH MUTULA SAI SR SREKANTH
5	0-15	08	DEVIKANTH SREKANTH ANIL	DEVIKANTH KONTHALA SRIHARSHAN	DEVIKANTH SREKANTH SAI SR SREKANTH	DEVIKANTH MUTULA SAI SR SREKANTH
6	0-15	08	DEVIKANTH CHAITA SREKANTH	DEVIKANTH MADHUKAR SAI SR SREKANTH	DEVIKANTH KONTHALA CHANDRA SREKANTH	DEVIKANTH SANKARU SR SREKANTH SREKANTH
7	P-16	08	DEVIKANTH MUTULA RAMU SAI SR SREKANTH	DEVIKANTH MADHUKAR SAI SR SREKANTH	DEVIKANTH SREKANTH SAI SR SREKANTH	DEVIKANTH MUTULA SAI SR SREKANTH
8	0-16	08	DEVIKANTH MUTULA SAI SR SREKANTH	DEVIKANTH SANKARU SR SREKANTH SR SREKANTH	DEVIKANTH SREKANTH SAI SR SREKANTH	DEVIKANTH MUTULA SAI SR SREKANTH

COORDINATOR



PRINCIPAL
SRI VASAVI ENGINEERING COLLEGE
PEDATADEPALLI
TADEPALLIGUDEM - 534 101



Sri Vasavi Engineering College (Autonomous)
 Sponsored by Sri Vasavi Educational Society,
 (Approved by AICTE, permanently affiliated to JNTUK, Kakinada)
 Peddaboinapalli, Tadepalligudem, 534101, W.G. Dist. (A.P)

MECHANICAL ENGINEERING DEPARTMENT

FAME (Fabulous Association of Mechanical Engineering)

CAD HACKATHON WINNERS - 20-06-2022

Sl. No.	TEAM NUMBER	PAGE NO.	PARTICIPANTS NAME & ROLL NUMBER			
			DESIGNER	CHARACTER DESIGNER	ASSEMBLER	REPORTER
1	1-1	1	CHANDRAN MADHURAN (19A010101)	CHANDRAN PALANIKUMAR (19A010102)	CHANDRAN SRIHARAN (19A010103)	CHANDRAN MITHUN (19A010104)
2	1-2	2	CHANDRAN MADHURAN (19A010101)	CHANDRAN SRIHARAN (19A010103)	CHANDRAN SRIHARAN (19A010103)	CHANDRAN MITHUN (19A010104)
3	1-3	3	CHANDRAN MADHURAN (19A010101)	CHANDRAN SRIHARAN (19A010103)	CHANDRAN SRIHARAN (19A010103)	CHANDRAN MITHUN (19A010104)



SRI VASAVI
ENGINEERING COLLEGE
(AUTONOMOUS)

AIR A-10000
 B-10000
 C-10000
 D-10000

Approved by AICTE, New Delhi and Government of Andhra Pradesh, NDA, Government

CERTIFICATE

OF PARTICIPATION

THIS CERTIFICATE IS PRESENTED TO

ARIGELA JAYAMANI (28AB1A8584)

For participating in the event "LADHAKRATHIN" held on
 18th & 19th June 2022 organized by Mechanical Engineering Department
 under FAME in SRI VASAVI ENGINEERING COLLEGE

DR. M. V. RAMESH
 HOD - MECH

THE SECOND
 ASSISTANT





SRI VASAVI
ENGINEERING COLLEGE
(AUTONOMOUS)

1991
100th Anniversary
100th Anniversary
100th Anniversary

CERTIFICATE

OF APPRECIATION

THIS CERTIFICATE IS PRESENTED TO



IMMALLARAJU SRI SAIKRISHNAMRAJU (28A85AB317)

For participating & winning "1st Prize" in the event "LAP RACE & FISH" held on
18th & 19th June 2022 organized by Mechanical Engineering Department under
FAME at Sri Vasavi Engineering College

[Signature]

DR. M. V. RAMAN
HOD - MECH

[Signature]

DR. P. S. SURESH
HOD - MECH

[Signature]

HOD - ME

Head of the Department
Mechanical Engineering
Sri Vasavi Engineering College
Tirumala, Andhra Pradesh



SRI VASAVI ENGINEERING COLLEGE (AUTONOMOUS)

PEDATADEPALLI, TADEPALLIGUDEM-534 101,
W.G.Dist.

Department of Computer Science & Engineering (Accredited by NBA)

ACADEMIC YEAR 2021-22 HACKOVERFLOW 2K22

Circular

All the B.Tech. Students are hereby informed that the Department of CSE is conducting the Hack Overflow under title as follows from 09:00 AM to 05:00 PM (Saturday) 10:00 AM - 12:00 PM. Participants will get participation certificate and winner will get monetary cash prize. Registration will be opened from 09:00 AM onwards. For further details about the following link:



Outcomes

The students will be able to:

- Design various applications by using python programming
- Demonstrate their designed applications (CSE)

[Signature]
 Head of the Department
 Department of Computer Science & Engineering
 Sri Vasavi Engineering College
 Pedatadepalli, Tadepalligudem - 534 101

Copy to

1. For Reference (Dean) (CSE), Sri Vasavi
2. All the staff members for circulation among their staff & students
3. For file - Appendix - Circulars/Notices
4. Secretary & Correspondent for information
5. Reserved for information

Vision: To evolve as a centre of academic and research excellence in the area of Computer Science and Engineering.

Mission: To utilize innovative learning methods for academic improvement. To encourage higher studies and research to meet the futuristic requirements of Computer Science and Engineering. To inculcate Ethics and Human values for developing students with good character.



SRI VASAVI ENGINEERING COLLEGE (AUTONOMOUS)

PEDATADEPALLI, TADEPALLIGUDEM-534 101,
W.G.Dist.

Department of Computer Science & Engineering (Accredited by NBA)

HACKOVERFLOW 2K22 WINNERS						
SNO	TEAM NO	ROLL NUMBER	NAME OF THE PARTICIPANT	COLLEGE	YEAR OF STUDY	PLACE
1	35	21A85A0508	K. KEDARINADH	SVEC	SECOND YEAR	FIRST
		20A81A05B9	T. NAVEEN KUMAR			
		21A85A0519	P. GANGADHAR			
		199P5A0503	K. N. V. DURGA PRASAD	DNR	FOURTH YEAR	
2	21	18A81A05I5	CHINTALAPATI HARSHAVARDHAN SIDDARTHA VARMA	SVEC	FOURTH YEAR	SECOND
		18A81A05E3	KONE TARUN DEEPAK			
		18A81A05D0	GADISETTI DINESH SRINIVAS			
		20A81A05C3	VARRE DUNDI PRIYA CHANDANA			
		20A81A04H3	SAYYAPPARAJU NEHA	SECOND YEAR		
3	25	20T91A0540	ANANTHA NAVEEN	GIET	SECOND YEAR	THIRD
		20T91A0535	KAKI MOHAN MURALI			
		20T91A0503	AGARTHI V V S MANIKYA CHARYULU			
		20T91A0504	ALIBILLI RAVINDRA			
		20T91A0506	KINTHADA KASI VISWANADH			
4	1	20A81A05P0	VEERLA SUPRIYA	SVEC	SECOND YEAR	CONSOLATION
		20A81A05O6	RAYAVARAPU SAI NAVYA SRI			
		20A81A05M9	MANTRIPRAGADA PRAVALLIKA			
		20A81A05K1	CHIMMA LAKSHMI MADHAVI			
		20A81A05N5	NAGA VENKATA PRAVALIKA MANCHINA			

PRINCIPAL
SRI VASAVI ENGINEERING COLLEGE
PEDATADEPALLI
TADEPALLIGUDEM - 534 101

Vision: To evolve as a centre of academic and research excellence in the area of Computer Science and Engineering.

Mission: To utilize innovative learning methods for academic improvement. To encourage higher studies and research to meet the futuristic requirements of Computer Science and Engineering. To inculcate Ethics and Human values for developing students with good character.



SRI VASAVI ENGINEERING COLLEGE (AUTONOMOUS)

PEDATADEPALLI, TADEPALLIGUDEM-534 101,
W.G.Dist.

Department of Computer Science & Engineering (Accredited by NBA)



Secretary Sir awarding certificates to the winners in Hackoverflow2k22



Vision: To evolve as a centre of academic and research excellence in the area of Computer Science and Engineering.

Mission: To utilize innovative learning methods for academic improvement. To encourage higher studies and research to meet the futuristic requirements of Computer Science and Engineering. To inculcate Ethics and Human values for developing students with good character.

PRINCIPAL

**SRI VASAVI ENGINEERING COLLEGE
PEDATADEPALLI
TADEPALLIGUDEM - 534 101**

Programs on Entrepreneurship and Hackathon

DST – NIMAT PROJECT 2019-20

PROFORMA FOR POST PROGRAMME REPORT (PPR) OF EAC

1. Name & Address of Programme : Entrepreneurship Awareness Camp Implementing Agency
Sri Vasavi Engineering College,
(with Tel/ Fax /E-mail) Pedatadepalli, Tadepalligudem-534101
West Godavari District, A.P.
Ph:08818-284344,
Email: principal@srivasaviennngg.ac.in
2. Programme Location : Sri Vasavi Engineering College
3. Programme Date : From 29-08-2019 to 31-08-2019
4. Name of the Coordinator : Dr. S.Krishna Murthy Naidu
5. No. of candidate attended the programme : 77 (Male 41 Female 36)
OC: 44
BC: 27
SC: 06
ST: 00
6. List of participants : ANNEXURE – I
7. Program schedule : ANNEXURE – II
8. List of resource persons : ANNEXURE – III
9. List of industries visited : ANNEXURE – IV
10. Participant's feedback : ANNEXURE – V
11. Photographs of Programme : Attach one group photo, one classroom photo and one industry/institute visit photo



PRINCIPAL
SRI VASAVI ENGINEERING COLLEGE
PEDATADEPALLI
TADEPALLIGUDEM - 534 101

Programs on Entrepreneurship and Hackathon

ANNEXURE – I

LIST OF PARTICIPANTS

S.NO	Name Of The Participant	Age	Gender	Branch	Category
1	DURGA ABHILASH	21	MALE	MECH	BC
2	FAROOK	22	MALE	MBA	BC
3	VENKATARAO	22	MALE	MBA	OC
4	VENKATESH	22	MALE	MBA	BC
5	RAMA KRISHNA REDDY	21	MALE	CIVIL	BC
6	S.S.V GANGADHAR	20	MALE	CIVIL	BC
7	KASI VISWANATH	20	MALE	CIVIL	BC
8	K.RUPA	20	FEMALE	CIVIL	OC
9	ABHINAV	20	MALE	CIVIL	OC
10	CH.P.MANI	20	FEMALE	CIVIL	SC
11	LALITHA VYSHANAVI	20	FEMALE	CIVIL	OC
12	YUVA KIRAN	21	MALE	CIVIL	OC
13	NAGA SIVA NAIDU	20	MALE	CIVIL	BC
14	V.ARAVID	21	MALE	CIVIL	OC
15	SAI KRISHNA	20	MALE	ECE	OC
16	P.VIDYA	20	FEMALE	ECE	BC
17	T.VENKATA JAYA	20	FEMALE	ECE	BC
18	V.JAYA LAKSHMI	20	FEMALE	ECE	BC
19	CH.UMASRI	20	FEMALE	ECE	BC
20	B.RATNA TULASI	20	FEAMLE	ECE	BC
21	U.DIVYA	20	FEMALE	ECE	OC
22	G.SRIVALLI	21	FEMALE	ECE	BC
23	K.HEMANTH	22	MALE	ECE	OC
24	S.ANIL	21	MALE	ECE	OC
25	D.RAMA SAI	21	MALE	ECE	OC
26	S.VENU	21	MALE	ECE	OC
27	P.VISWANATH	22	MALE	CSE	BC
28	R.SAI KIRAN	21	MALE	CSE	BC
29	N.RAKESH	22	MALE	CSE	SC
30	G.PRASAD BABU	21	MALE	CSE	BC
31	M.HEMANTH	21	MALE	CSE	BC
32	P.ANIRUDH	22	MALE	CSE	SC
33	S.NAGESH	21	MALE	CSE	OC
34	M.VARDHAN	21	MALE	CSE	BC
35	G.SRIJA	21	FEMALE	CSE	OC
36	V.PRASANNA	21	FEMALE	CSE	BC
37	V.SUBHASHINI	20	FEMALE	CSE	OC
38	P.DHANA	20	FEMALE	CSE	OC

Programs on Entrepreneurship and Hackathon

	LAKSHMI				
39	Y.MONIKA	20	FEMALE	CSE	OC
40	P.BHAVANI	20	FEMALE	CSE	OC
41	AKANKSHA	20	FEMALE	CSE	SC
42	GOPI JAYA DIVYA	20	FEMALE	CSE	BC
43	GANGA SREE LAKSHMI	20	FEMALE	CSE	BC
44	M.GEETA	20	FEMALE	CSE	SC
45	DHARANI	20	FEMALE	CSE	OC
46	V.PRATHYSHA	20	FEMALE	CSE	OC
47	CH . SAI RAM	19	MALE	CSE	BC
48	B.NARAYANA	20	MALE	CSE	OC
49	S.RAKESH	21	MALE	CSE	OC
50	M.GOPI	20	MALE	CSE	OC
51	V.BADHRINADH	20	MALE	CSE	OC
52	S.MAHANDRA	20	MALE	CSE	OC
53	P.SAHITHI	21	FEMALE	CSE	OC
54	Y.BHAVANI	20	FEMALE	CSE	BC
55	M.YASWANTH KUMAR	21	MALE	CSE	BC
56	Y.PURNA SAI NADH	20	MALE	CSE	OC
57	B.UTTEJ	20	MALE	CSE	OC
58	V.S.N.SUBRANYES WARI	19	FEMALE	CSE	BC
59	K.BHAVANI	19	FEMALE	CSE	BC
60	M.Ramya sri	19	FEMALE	CSE	OC
61	D.Sahithi	19	FEMALE	CSE	OC
62	U.Gamya	20	FEMALE	CSE	OC
63	Manikanta	19	MALE	CSE	OC
64	CH.Jai Krishna	21	MALE	CSE	OC
65	S.Naga phanindra	21	MALE	CSE	OC
66	Satish	21	MALE	CSE	OC
67	K.Bhavya	21	FEMALE	CSE	OC
68	Nasrin	20	FEMALE	CSE	BC
69	V.Renuka	20	FEMALE	CSE	OC
70	K.Surekha	19	FEMALE	CSE	OC
71	S.Ramya	20	FEMALE	CSE	OC

Programs on Entrepreneurship and Hackathon


72	G.Purna sri	20	FEMALE	CSE	OC
73	K.Eswari	20	FEMALE	CSE	OC
74	S.Krishna prasad	19	MALE	CSE	OC
75	Ambati Surya Kala	21	MALE	CSE	OC
76	S.Anusha	20	FEMALE	CSE	BC
77	K.Rakesh	18	MALE	DIPLOMA	SC


PRINCIPAL
SRI VASAVI ENGINEERING COLLEGE
PEDATADEPALLI
TADEPALLIGUDEM - 534 101

Programs on Entrepreneurship and Hackathon

ANNEXURE – II PROGRAMME SCHEDULE

DATE AND DAY	SESSION	SUBJECT/TOPIC	FACULTY
1	2	3	4
29/08/2019 1 ST DAY	I & II	Inauguration- Camp Objective, Entrepreneurship	Dr.S.Krishna Murthy Naidu Coordinator-EAC
	III	Historical background-Indian values vis-a-vis Entrepreneur ship and the present scenario	Sri Vamsi Krishna Das ISKCON Bhimavaram
	IV	Creativity and business- the man behind the venture -the behavioural scientist's approach.	Sri Vamsi Krishna Das ISKCON Bhimavaram
30/08/2019 2 ND DAY	I	How to start a SSI unit	Sri D Hemasundar Assistant Director, DIC, Eluru
	II	Tech. & commercial Aspects of SSI unit, Mechanism of product selection and technology-assistance from R&D labs and others on choice of technology etc	Sri D Hemasundar Assistant Director, DIC, Eluru
	III	Lectures by practicing entrepreneur's success stories- common problems faced by entrepreneurs	A.Savin Baba CEO, Satya Sai EXIMS Vizag.
	IV	Communication skills (interacting with people) for better results, Identification of opportunities for entrepreneurs.	Dr.S.Krishna Murthy Naidu Coordinator-EAC
31/08/2019 3 RD DAY	I	Financial aspects of SSI unit including salient features of a project report, Support and financial assistance from Govt. agencies, banks, financial institutions, SFCs and others-securities demanded by FIs/banks etc	Sri K Ramana Rao Senior Manager, APSFC, Eluru
	II	Problems faced by entrepreneurs	Dr.S.Krishna Murthy Naidu Coordinator-EAC
	III	Discussion and Feedback	Dr.S.Krishna Murthy Naidu Coordinator-EAC
	IV	Industrial Visit	M/s Meena Biscuits, Bhimavaram


 PRINCIPAL
 SRI VASAVI ENGINEERING COLLEGE
 PEDATADEPALLI
 TADEPALLIGUDEM - 534 101

Programs on Entrepreneurship and Hackathon

ANNEXURE-III LIST OF FACULTY/RESOURCE PERSON

SR.NO	NAME AND ADDRESS	DESIGNATION	ORGANIZATION
1	2	3	4
1	Sri K Ramana Rao Eluru, West Godavari Dist- AP	Senior Manager	APSFC
2	A.Savin Baba Vizag, AP	CEO	Satya Sai EXIMS
3	Sri D Hemasundar Eluru, West Godavari Dist- AP	Assistant Director	DIC, Eluru
4	Sri Vamsi Krishna Das Bhimavaram	Master- ISKCON Youth Forum	ISKCON Bhimavaram
5	Dr.S.Krishna Murthy Naidu	Associate professor in MBA Dept. and Coordinator-EAC	Sri Vasavi Engineering College Tadepalligudem.

ANNEXURE – IV

LIST OF INDUSTRIES VISITED

Sr. No.	Name, Address and contact details	Products / Service
1	MEENA BISCUITS, BHIMAVARAM MURALI, MANAGING PARTNER	Manufacturers of Rusks


PRINCIPAL
SRI VASAVI ENGINEERING COLLEGE
PEDATADEPALLI
TADEPALLIGUDEM - 534 101

Programs on Entrepreneurship and Hackathon

ANNEXURE – V

FEED BACK ANALYSIS OF PARTICIPANT

Programme Location: : Sri Vasavi
Engineering College

Date: From 29-08-2019 to 31-10-2019

Total No. of. Participants for the EAC is 77

Q.1) From where you got the information about this programme

- a) Pamphlets / Broacher b) News paper Advertisement c) Posters/ Hand Bills
d) Other (Please Specify) Faculty 60 (77.9%) Friend 17 (22.07%)

Q.2) What is your opinion about the duration of Programme?

- a) Short -07 (9.09%) b) Adequate- 70 (90.9%) c) Long-

Q.3) Did you find the Programme useful?

- a) Very much- 75 (97.40%) b) To some extent - 01 (1.29%) c) Not useful- 01 (1.29%)

Q.4) Did it fulfill your expectations?

- a) Yes- 75 (97.40%) b) To some extent- 2 (2.59%) c) No

Q.5) Planning of the Programme

- a) Excellent - 71 (92.2%) b) Very good - 02 (2.59%) c) Good
d) Satisfactory- 4 (5.19%) e) Poor

Programs on Entrepreneurship and Hackathon



SRI VASAVI ENGINEERING COLLEGE (AUTONOMOUS)
Pedatadepalli, TADEPALLIGUDEM-534101, W.G.Dist, A.P.

DST – NIMAT PROJECT 2019-20

Entrepreneurship Awareness Camp (EAC) sponsored by DST-NIMAT
23rd -25st September 2019

DST – NIMAT PROJECT 2019-20

PROFORMA FOR POST PROGRAMME REPORT (PPR) OF EAC

1. Name & Address of Programme : Entrepreneurship Awareness Camp Implementing Agency Sri Vasavi Engineering College,
(with Tel/ Fax /E-mail) Pedatadepalli, Tadepalligudem-534101
West Godavari District, A.P.
Ph:08818-284344,
Email: principal@srivasaviennngg.ac.in
2. Programme Location : Sri Vasavi Engineering College
3. Programme Date : From 23-09-2019 to 25-09-2019
4. Name of the Coordinator : Dr. S.Krishna Murthy Naidu
5. No. of candidate attended the programme : 91 (Male 38 Female 53)
OC: 60
BC: 23
SC: 08
ST: 00
6. List of participants : *ANNEXURE – I*
7. Program schedule : *ANNEXURE – II*
8. List of resource persons : *ANNEXURE – III*
9. List of industries visited : *ANNEXURE – IV*
10. Participant's feedback : *ANNEXURE – V*
11. Photographs of Programme : Attach one group photo, one classroom photo and one industry/institute visit photo

PRINCIPAL
SRI VASAVI ENGINEERING COLLEGE
PEDATADEPALLI
TADEPALLIGUDEM - 534 101

Programs on Entrepreneurship and Hackathon

ANNEXURE – I LIST OF PARTICIPANTS

Sr.NO	Name of participant	Age	GENDER	Education	Category: Gen / SC / ST /OBC / Minority
1	K.SRAVYA	20	FEMALE	CSE	OC
2	PURNA	20	FEMALE	CSE	OC
3	S.RAMYA SRI VARDHINI	20	FEMALE	CSE	OC
4	M.PRASANNA	20	FEMALE	CSE	OC
5	N.ANMISHA	20	FEMALE	CSE	OC
6	V. L.S.PRASANNA	20	FEMALE	CSE	OC
7	K SUREKHA	20	FEMALE	CSE	OC
8	ADADADI KAMESH	22	MALE	CSE	BC
9	P.JHANSI	20	FEMALE	CST	SC
10	N.PAVAN ROHIT	18	MALE	DECE	BC
11	P.VENKATESH	19	MALE	DME	BC
12	SAI DURGA PRASAD	20	MALE	DECE	BC
13	LAKSHMI KANTH	22	MALE	MBA	OC
14	PAVAN VENKATA KUMAR	22	MALE	MBA	OC
15	SIVA NAGARAJU	22	MALE	MBA	BC
16	A.PARDHA SARATHI	20	MALE	MECH	OC
17	ARASAVALLI.VAMSI KRISHNA	20	MALE	MECH	BC
18	B.PREM DHAN SINGH	20	MALE	MECH	BC
19	SAI KUMAR	20	MALE	MECH	OC
20	CHAMANA VAMSI KRISHNA	20	MALE	MECH	OC
21	CHINNEY VIJAY	21	MALE	MECH	SC
22	P.UDAYA SRI BHAVANI	21	FEMALE	CSE	OC
23	K.S.S.SPANDHANA	22	FEMALE	CSE	OC
24	K.BHAYA	21	FEMALE	CSE	OC
25	G.LIKHITA	21	FEMALE	CSE	OC
26	P.SAHITHI	20	FEMALE	CSE	OC
27	DAKE.CHANDU SUJINI BALA	20	FEMALE	CSE	SC
28	M.SHYAMALA	20	FEMALE	CSE	BC
29	N.SWATHI	20	FEMALE	CSE	OC
30	K.LIKITHA	21	FEMALE	CSE	OC
31	MANNE GOVINDA RAJU	21	MALE	CSE	BC
32	T.LEESHA	20	FEMALE	CSE	OC
33	U.BHARATHI	21	FEMALE	CSE	BC

Programs on Entrepreneurship and Hackathon

34	V.SIRISHA	21	FEMALE	CSE	OC
35	K. A. P. H. H. SAI ESWARI	21	FEMALE	CSE	OC
36	NIRMALA SAI	21	FEMALE	ECE	OC
37	MOHANA	20	FEMALE	ECE	OC
38	SAVARNIKA	20	FEMALE	ECE	OC
39	D DURGA ABHILASH	20	MALE	MECH	BC
40	NIKHIL GURUKULA	20	MALE	MECH	SC
41	NETHALA SURESH KUMAR	20	MALE	MECH	SC
42	VAKACHARLA SAI MANI BABU	20	MALE	MECH	OC
43	V.SRINIVAS	20	MALE	MECH	BC
44	BANDARU PAVAN CHANDRA	20	MALE	MECH	OC
45	PITTA ANIRUDH	20	MALE	CSE	OC
46	A SATISH	20	MALE	CSE	OC
47	CH .HEMA	19	FEMALE	CSE	OC
48	CH SUNILKUMAR	20	MALE	CSE	SC
49	CH CHANDRA PAVAN	19	MALE	CSE	BC
50	SHYAM KUMAR	20	MALE	CSE	BC
51	D SATISH	20	MALE	CSE	OC
52	M HEMANTH	20	MALE	CSE	BC
53	P K V S S VISWANATH	19	MALE	CSE	BC
54	P.DHANALAKSHMI	20	FEMALE	CSE	OC
55	PONAGANTI LEELA VENKATA SRI LAVANYA	20	FEMALE	CSE	OC
56	SAMATHAM KUMAR NAGESH BABU	20	MALE	CSE	OC
57	M.YASWANTH KUMAR	20	MALE	CSE	BC
58	Y.PURNA SAI NADH	20	MALE	CSE	OC
59	G.VINAY KUMAR	20	MALE	CSE	SC
60	T.UTTEJ KUMAR	18	MALE	CSE	OC
61	R.SAI KIRAN	18	MALE	CSE	OC
62	P.SAHITHI	20	FEMALE	CSE	OC
63	VISHNAVI	19	FEMALE	CSE	OC
64	ALEKHYA	18	FEMALE	CSE	OC
65	PRATUSHYA	20	FEMALE	CSE	OC
66	S.PRIYANKA	20	FEMALE	CSE	OC
67	CH.TAGORE	21	MALE	CSE	OC
68	CHATLA SHINY	20	FEMALE	CSE	SC

Programs on Entrepreneurship and Hackathon

	ASHREETHA				
--	-----------	--	--	--	--



PRINCIPAL
SRI VASAVI ENGINEERING COLLEGE
PEDATADEPALLI
TADEPALLIGUDEM - 534 101

Programs on Entrepreneurship and Hackathon

69	SARIDE SAI VIDYA ANUSHA PRAVEENA	20	FEMALE	CSE	BC
70	VALLURI SHARMISRI	19	FEMALE	CSE	OC
71	VUYYURI KEERTHI	20	FEMALE	CSE	BC
72	DINESH SRINIVAS GADISETTI	20	MALE	CSE	BC
73	KONE TARUN DEEPAK	20	MALE	CSE	BC
74	PRAGALLAPATI ROHIT	19	MALE	CSE	OC
75	TEJA SRINIVAS REDDY	22	MALE	CSE	BC
76	HARSHAVARDHAN SIDDARTHA	22	MALE	CSE	OC
77	V.PRATHYUSHA	20	FEMALE	CSE	OC
78	J.MAMATHA SAI	20	FEMALE	CSE	OC
79	B.NILIMA	20	FEMALE	CSE	SC
80	P.TANUJA	19	FEMALE	CSE	OC
81	ASWANI	19	FEMALE	CSE	BC
82	DHANA LAKSHMI	19	FEMALE	CSE	OC
83	K.S.PRASANNA	20	FEMALE	CSE	OC
84	V.BALA ANUHYA	19	FEMALE	CSE	OC
85	SAHITHI ANUJA	20	FEMALE	CSE	OC
86	MEGHANA	20	FEMALE	CSE	OC
87	SASANK	21	MALE	CSE	OC
88	G.RAVI TEJA	22	MALE	MBA	OC
89	M.YUVARANI	21	FEMALE	MBA	OC
90	P.D.V.PRIYANKA	21	FEMALE	MBA	OC
91	SAILAJA	21	FEMALE	MBA	OC



PRINCIPAL
SRI VASAVI ENGINEERING COLLEGE
PEDATADEPALLI
TADEPALLIGUDEM - 534 101

Programs on Entrepreneurship and Hackathon

ANNEXURE – II PROGRAMME SCHEDULE

DATE AND DAY	SESSION	SUBJECT/TOPIC	FACULTY
1	2	3	4
23/09/2019 1 ST DAY	I & II	Inauguration- Camp Objective, Entrepreneurship	Dr.S.Krishna Murthy Naidu Coordinator-EAC
	III	Historical background-Indian values vis-a-vis Entrepreneurship and the present scenario	Ch Appa Rao Technical Director Sri Vasavi Engineering College Tadepalligudem.
	IV	Creativity and business- the man behind the venture -the behavioural scientist's approach.	Dr.S.Krishna Murthy Naidu Associate Professor Sri Vasavi Engineering College
24/09/2019 2 ND DAY	I	How to start a SSI unit	Smt Sudha Venkateswarlu Freelance Trainer, Vizag
	II	Tech. & commercial Aspects of SSI unit, Mechanism of product selection and technology-assistance from R&D labs and others on choice of technology etc	Dr PVV Rama Rao, Dean- R&D Sri Vasavi Engineering College
	III	Lectures by practicing entrepreneur's success stories- common problems faced by entrepreneurs	K Venkateswarlu, Faculty, ISPAT NIGAM Ltd Vizag
	IV	Communication skills (interacting with people) for better results, Identification of opportunities for entrepreneurs.	K Venkateswarlu, Faculty, ISPAT NIGAM Ltd Vizag
25/09/2019 3 RD DAY	I	Financial aspects of SSI unit including salient features of a project report, Support and financial assistance from Govt. agencies, banks, financial institutions, SFCs and others-securities demanded by FIs/banks etc	K Venkateswarlu, Faculty, ISPAT NIGAM Ltd Vizag
	II	Problems faced by entrepreneurs	Dr RSRK Kiran, Coordinator- ED Cell Sri Vasavi Engineering College
	III	Discussion and Feedback	Dr.S.Krishna Murthy Naidu Coordinator-EAC
	IV	Industrial Visit	M/s Sri Sarvaraya Sugars, Coca Cola Bottling unit, Bhimadolu



PRINCIPAL
SRI VASAVI ENGINEERING COLLEGE
PEDATADEPALLI
TADEPALLIGUDEM - 534 101

Programs on Entrepreneurship and Hackathon

ANNEXURE-III

LIST OF FACULTY/RESOURCE PERSON

SR.NO	NAME AND ADDRESS	DESIGNATION	ORGANIZATION
1	2	3	4
1	K Venkateswarlu	Sr Faculty	ISPAT Nigam Ltd, Vizag
2	Smt Sudha Venkateswarlu	Freelance Trainer	Vizag
5	Ch Appa Rao	Technical Director	Sri Vasavi Engineering College Tadepalligudem.
6	Dr PVV Rama Rao	Dean R&D	Sri Vasavi Engineering College Tadepalligudem.
7	Dr RSRK Kiran	Coordinator-ED Cell	Sri Vasavi Engineering College Tadepalligudem.
8	Dr.S.Krishna Murthy Naidu	Associate professor in MBA Dept. and Coordinator-EAC	Sri Vasavi Engineering College Tadepalligudem.



PRINCIPAL
SRI VASAVI ENGINEERING COLLEGE
PEDATADEPALLI
TADepALLIGUDEM - 534 101

Programs on Entrepreneurship and Hackathon

ANNEXURE – IV

LIST OF INDUSTRIES VISITED

Sr. No.	Name, Address and contact details	Products / Service
1	M/S Sarvaraya sugars, Cocacola Bottling Unit, Bhimadolu Mr G Satyanarayana Manager- Operations	Soft drinks bottling

ANNEXURE – V

FEED BACK ANALYSIS OF PARTICIPANT

Programme Location: : Sri Vasavi Engineering College

Date: From 23-09-2019 to 25-09-2019

Total No. of. Participants for the EAC is 91

Q.1) From where you got the information about this programme?

- a) Pamphlets / Broacher b) News paper Advertisement c) Posters/ Hand Bills
d) Other (Please Specify) Faculty 60 (65.93%) Friend 31 (34.06%)

Q.2) What is your opinion about the duration of Programme?

- a) Short -16 (17.58%) b) Adequate- 75 (82.41%) c) Long

Q.3) Did you find the Programme useful?

- a) Very much- 75 (82.59%) b) To some extent - 11 (12.08%) c) Not useful- 05 (5.4%)

Q.4) Did it fulfill your expectations?

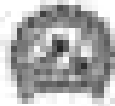
- a) Yes- 71 (78.02%) b) To some extent- 18 (19.8%) c) No- 2 (2.1%)

Q.5) Planning of the Programme

- a) Excellent - 80 (87.91%) b) Very good - 05 (5.4%) c) Good-02 (2.1%)
d) Satisfactory-04 (4.3%) e) Poor



PRINCIPAL
SRI VASAVI ENGINEERING COLLEGE
PEDATADEPALLI
TADEPALLIGUDEM - 534 101



SRI SAIRAM ENGINEERING COLLEGE (AUTONOMOUS)

Approved by the Government of Tamil Nadu
Affiliated to Anna University, Chennai
Department of Electrical & Electronic Engineering

Page No. _____

Date: _____

CIRULAR

"Students in Group of Electrical Studies" in B.E. Electrical, EE in PE & Tech. EE students will be required to attend Engineering in PE Semesters, 2020 under UPE Semesters.

Application is invited to give their respective responses in regard to Electrical Studies using Address UPE Semesters.

For more details & Registration: _____

1. Registration Fee: Rs. 100/-

Change with a M. to 4/11/20.

Thank You Sir/Ms.

[Signature]
Head of the Department

Dear Sir,

- 1. The enclosed (Form) (2020) is being sent.
- 2. UPE will be required to attend during their 4th & 5th semesters.
- 3. Details regarding UPE Semesters.
- 4. Students to be contacted for information.
- 5. Response for information.

Thank you

Yours faithfully,

Dr. Yashwanth Engineering College
 DEPARTMENT OF ELECTRICAL & ELECTRONICS ENGINEERING

HACKATHON
 On
 15th & 16th August 2023

Prizes:
 1st Prize: ₹10,000
 2nd Prize: ₹5,000
 3rd Prize: ₹2,000

Registration:
 Free of Cost

Event: August 15th & 16th
Date: 15th & 16th August
Time: 10:00 AM to 6:00 PM





aocho
PRINCIPAL
SRI VASAVI ENGINEERING COLLEGE
PEDATADEPALLI
TADEPALLIGUDEM - 534 101



SRI VASAVI ENGINEERING COLLEGE (AUTONOMOUS)

PEDATADEPALLI, TADEPALLIGUDEM-534 101,
W.G.Dist.

Department of Computer Science & Engineering (Accredited by NBA)

ACADEMIC YEAR 2019-20 HACKOVERFLOW 2K19

Date: 10-11-2019

Notice

All the B.Tech & M.Tech Students are hereby informed that the Department of CSE is conducting a Hack Overflow competition from 10-11-2019 to 15-11-2019. The details are given below. The winners will get cash prize and certificate. The details are given below.

The details are given below:

Prizes:

The details are given below:

- 1. Top 10 participants will get cash prize of Rs. 10000/-
- 2. Top 20 participants will get certificate of appreciation.


 Head of the Department
 Department of Computer Science & Engineering
 Sri Vasavi Engineering College
 Pedatadepalli, Tadepalligudem, W.G. Dist.

HACK OVERFLOW 2K19



SRI VASAVI ENGINEERING COLLEGE (AUTONOMOUS)

PEDATADEPALLI, TADEPALLIGUDEM-534 101,
W.G.Dist.

Department of Computer Science & Engineering (Accredited by NBA)

WINNERS

S.NO	Name of the Student	Year	Reg.No	Prize
1	A.N.V. Vamsi Krishna	III	17A81A0501	I
2	K. Sri Satya Sravya	III	17A81A0524	
3	S. Teja Sri	III	17A81A0543	
4	K.J.G. Sai Vaishnavi	III	17A81A05D5	
5	V. Lakshmi Narayana	III	17A81A0554	II
6	Vyshnavi Agarwal	III	17A81A0555	
7	V.V. Sai Ravi Teja	III	17A81A0553	
8	S. L.Supriya	III	17A81A0540	III
9	B. Ajay Chandu	III	17A81A0507	
10	P.J. Sri Valli	III	17A81A0535	
11	G. Nagendra Sai Kumar	III	16A81A0514	
12	Sheik Vahida	III	17A81A0542	
13	B.Swathi	III	17A81A0503	III
14	G. V. L. Tulasi	III	17A81A0513	
15	G. Sree Lakshmi	III	17A81A0512	
16	A.Teja	III	17A81A0564	
17	O. L. Sree Bhavani	III	17A81A0532	

Head of the Department



SRI VASAVI ENGINEERING COLLEGE (AUTONOMOUS)

**PEDATADEPALLI, TADEPALLIGUEM-534 101,
W.G.Dist.**

Department of Computer Science & Engineering (Accredited by NBA)



Our Principal Sir addressing the participants in Hackoverflow2k19



Our Principal Sir distributing certificates to Winners in Hackoverflow2k19

**PRINCIPAL
SRI VASAVI ENGINEERING COLLEGE
PEDATADEPALLI
TADEPALLIGUEM - 534 101**



Fwd: DST-NIMAT Project 2019-20: Sanction Order

Principal SVEC <principal@srivasaviengg.ac.in>
To: "Sri Vasavi Engg. R&D Division" <deanrnd@srivasaviengg.ac.in>

Thu, Aug 15, 2019 at 3:22 AM

----- Forwarded message -----

From: **Sareen** <sareen@ediindia.org>
Date: Wed, Aug 14, 2019 at 1:09 AM
Subject: DST-NIMAT Project 2019-20: Sanction Order
To: <principal@srivasaviengg.ac.in>, <krishnamurthy.seeda@srivasaviengg.ac.in>, <drskmnaidu@gmail.com>

This is a soft copy only for prior Information, no attachments included - (Hard copy with attachments already sent through Speed-post)

Dr. Guduru V. N. S. R. Ratnakara Rao
Principal
Sri Vasavi Engineering College
Pedatadepalli
Tadepalligudem - 534 101
District: West Godavari
Andhra Pradesh

Kind Attention: Dr. S. Krishnamurthy Naidu, Associate Professor (Department of Management Studies)

Dear Sir,

Sub: DST-NIMAT Project 2019-20: Sanction Order

Greetings from Entrepreneurship Development Institute of India, Ahmedabad!

This is with reference to your proposal submitted for conducting activities / programme(s) under the aegis of National Science & Technology Entrepreneurship Development Board (NSTEDB), Department of Science and Technology, Government of India, New Delhi.

We are happy to inform you that the following activities / programmes have been sanctioned:

Sr. No.	Activity / Programme	No.	Amount in Rs.	Locations
1	Entrepreneurship Awareness Camp (EAC)	2	40000	As mentioned in proposal
Total		2	40000	

You are requested to please go through the enclosed **Guidelines / Terms & Conditions as it is mandatory to follow the same.**

Please note that the **first installment is to be released on receipt of the following documents;**

- 1. Duly Signed Agreement**
- 2. Duly Signed “Terms & Conditions”**
- 3. Action Plan [Annexure-I]**
- 4. Bank Details [Annexure-IA]**

The funds will be transferred through RTGS/NEFT. Please make sure that the above said **documents must reach us as early as possible, but not later than ONE MONTH** of receiving this sanction letter. **Non receipt of the same may be considered as your unwillingness to take up the programme(s).**

For any additional information, please contact either me (Email ID: sareen@ediindia.org, Mobile: **09925110040**) or my colleague **Mr. Prakash Solanki** (Email ID: psolanki@ediindia.org, Mobile: **09723816384**).

We look forward to have a long term professional relationship.

Thanking you, with regards,

--

S. B. Sareen
Faculty & Head
Centre for SMEs & Business Development Services
Entrepreneurship Development Institute of India
P.O.Bhat - 382 428
Dist. Gandhinagar
Gujarat (India)

Tel.: 0091-79-23 96 91 63
Tele Fax: 0091-79-23 96 91 55 [Direct]
Fax: 0091-79-23 96 91 64
e.mail: sareen@ediindia.org
Mobile: 099 25 11 00 40

Disclaimer: This e-mail and its attachment/s, if any, may contain official information from EDII. If you are not the intended recipient, please notify the sender immediately and delete this e-mail. Any dissemination or use of this information by a person other than the intended recipient is unauthorised. The responsibility lies with the recipient to check this email and any attachment from the presence of viruses.

Think before you print, "File this email in an email folder and save a tree." Go Green...

--

Dr. Guduru VNSR Ratnakara Rao
Principal,
Sri Vasavi Engineering College [A8],
Tadepalligudem,
West Godavari Dt., A.P.,
Ph: (+91) 9490799102

ANNEXURE – I

LIST OF PARTICIPANTS

Sr.NO	Name of participant	Age	Male /Female	Education	Category: Gen / SC / ST /OBC / Minority
1	K. Hari Hara Kumar	20	Male	B – Tech	OBC
2	R. Pavan kumar	20	Male	B –Tech	BC – B
3	S.R.Kailash Kumar	20	Male	B – Tech	OC
4	M. Sri Ganesh	20	Male	B – Tech	OC
5	P. Gana Sai	20	Male	B – Tech	OC
6	S.Sai Krishna	20	Male	B – Tech	BC-B
7	P.V. Naga Raju	20	Male	B – Tech	BC-D
8	G. Ngaga Anvesh	22	Male	B – Tech	SC
9	G.D.Bhagarantham	20	Male	B – Tech	SC
10	I.M.N Gupta	20	Male	B – Tech	OC
11	CH.S.V. Vyshxavi	20	Female	B-Tech	OC
12	M.S.Sai Pradeep	21	Male	B-Tech	OC
13	P.G.Sireesha	20	Female	B-Tech	OC
14	M.Chaitanya	21	Male	B-Tech	BC
15	G.Yuvasri	20	Female	B-Tech	OC
16	B.Ganesh	20	Male	B-Tech	OC
17	M.BhanuSri	20	Female	B-Tech	OC
18	CH. Lakshmi Bhavani	20	Female	B-Tech	OC
19	P. Achyutha Divya	20	Female	B-Tech	OC
20	M Hema Supriya	20	Female	B-Tech	OC
21	R. Mallesh	23	Male	M.B.A	OC
22	M. Mounika Devi	21	Female	M.B.A	OBC
23	S.Divya	22	Female	M.B.A	SC
24	Y.Ajay Kumar	23	Male	M.B.A	OC
25	M.Leela Prakash	21	Male	M.B.A	BC-A
26	M.Satyanarayana	23	Male	M.B.A	BC-D
27	A.Manikanta	22	Male	B-Tech	OC
28	M.Navya sri	21	Female	M.B.A	OC
29	P.Lalitha	22	Female	M.B.A	OC
30	K.Sowmya	21	Female	M.B.A	OC
31	G Kanthi Jyothi	21	Female	M.B.A	OC
32	I.Chandusha	22	Female	M.B.A	OC
33	P.Prasanna	21	Female	M.B.A	BC-B
34	A.SatyaVani	21	Female	M.B.A	OC
35	R.TejaSwini	21	Female	M.B.A	OC
36	A.Bhanusri	21	Female	M.B.A	OC
37	V.Satish	22	Female	M.B.A	OC
38	T.Ganesh Kumar	24	Male	M.B.A	BC-D
39	M.Sai Pranali	22	Female	M.B.A	OC
40	P.Venkaresh	20	Male	B-Tech	OC

41	D.Chaitanya Siva Satyanarayana	20	Male	B-Tech	BC
42	P.Simhadri Raju	20	Male	B-Tech	OC
43	A.pavankumar	20	Male	B-Tech	OC
44	K.V. krishna reddy	20	Male	B-Tech	OC
45	A.Murali Satya Pavan	20	Male	B-Tech	OC
46	G.Kesava swamy	20	Male	B –Tech	BC-B
47	M.Vedantharao	19	Male	B-Tech	S.C
48	K.Sumanth	20	Male	B-Tech	O.C
49	K.S.S.D. Phanikumar	19	Male	B-Tech	O.C
50	D.Mallikarjuna Swamy	20	Male	B-Tech	BC-D
51	A.Ramcharan	20	Male	B-Tech	O.C
52	P.Manikanta	20	Male	B-Tech	BC-B
53	K.V.N.sankar	19	Male	B-Tech	BC-A
54	K.Dattatreya	20	Male	B-Tech	OC
55	M.Mohan Balaji	17	Male	Diploma	OC
56	G.Divya Sai	18	Male	Diploma	OC
57	M.K.Durga Mallesh	18	Male	Diploma	BC.D
58	Sk.Abdul Hafees	18	Male	Diploma	BC-E
59	B.Siva Bhaskar	18	Male	Diploma	OC
60	B.Ramesh	18	Male	Diploma	BC-D
61	Ch.A.S.Manikanta	18	Male	Diploma	BC-B
62	J.Venkat	20	Male	B-Tech	OC
63	T.B.V.Satish	19	Male	Diploma	BC-B
64	A.Bhaskar	18	Male	Diploma	BC-B
65	G.Venkatesh	18	Male	Diploma	BC-B
66	D.Venkatesh	18	Male	Diploma	OC
67	L.Teja	21	Female	M.B.A	BC-B
68	P.Hemanth Bhaskar	20	Male	B-Tech	BC
69	R.N.D.V. Prasad	20	Male	B-Tech	OC
70	D.V.V.V.Vardhan Babu	17	Male	Diploma	BC
71	V.Rakesh	17	Male	Diploma	BC
72	K.Aditya	20	Male	B-tech	BC
73	S.Bharath	20	Male	B.Tech	OC
74	N.Akhil	19	Male	B-Tech	OC
75	K.Sri Nidhi	18	Male	Diploma	BC-B
76	A.Mani Durga Prasad	17	Male	Diploma	OC
77	K.Rakesh	18	Male	Diploma	SC
78	V.D.H.N.V.Vamsi	17	Male	Diploma	BC-B

79	M. Kumar	17	Male	Diploma	BC-A
80	B.B.L.N. Datta Sai	19	Male	B-Tech	BC-B
81	J.Srinu	19	Male	B-Tech	SC
82	G.R.V.Satish kumar	19	Male	B-Tech	OC
83	M.Ravi Teja Sai	19	Male	B-Tech	BC-B
84	B.Aishwarya	19	Famale	B-Tech	OC
85	M.S.V.Nagendra	21	Male	B-Tech	OC
86	V.Naga Durga	21	Famale	M.B.A	OC
87	CH.Devi Prasad	18	Male	Diploma	OC



PRINCIPAL
SRI VASAVI ENGINEERING COLLEGE
PEDATADEPALLI
TADEPALLIGUDEM - 534 101

ANNEXURE – II
PROGRAMME SCHEDULE

DATE AND DAY	SESSION*	SUBJECT/TOPIC	FACULTY
1	2	3	4
30/08/2018 1 ST DAY	I & II	Inauguration- Camp Objective, Entrepreneurship	Dr.S.Krishna Murthy Naidu Coordinator-EAC
	III	Historical background-Indian values vis-a-vis Entrepreneur ship and the present scenario	Dr.V.V.Hanumantha Rao Professor in English Sri Vasavi Engineering College Tadepalligudem.
	IV	Creativity and business- the man behind the venture -the behavioural scientist's approach.	Sri G.Bapayya Sharma Office Superintendent LIC of INDIA, Tadepalligudem.
31/08/2018 2 ND DAY	I	How to start a SSI unit	Sri Y.V.B.Prasada Rao Corporate legal advisor Tanuku.
	II	Tech. & commercial Aspects of SSI unit, Mechanism of product selection and technology-assistance from R&D labs and others on choice of technology etc	Dr.P.C.Vengaiyah Agricultural Scientist Dr.YSRHU, Pandirimamidi East Godavari District
	III	Lectures by practicing entrepreneur's success stories- common problems faced by entrepreneurs	A.Savin Baba CEO, Satya Sai EXIMS Vizag.
	IV	Communication skills (interacting with people) for better results, Identification of opportunities for entrepreneurs.	Dr.S.Krishna Murthy Naidu Coordinator-EAC
01/09/2018 3 RD DAY	I	Financial aspects of SSI unit including salient features of a project report, Support and financial assistance from Govt. agencies, banks, financial institutions, SFCs and others-securities demanded by FIs/banks etc	Sri K.Surya Rao Manager-LDB Eluru.
	II	Problems faced by entrepreneurs	Sri Y Narayana Rao Agriculture Entrepreneur
	III	Discussion and Feedback	Dr.S.Krishna Murthy Naidu Coordinator-EAC
	IV	Industrial Visit	3F INDUSTRIES LTD., TADEPALLIGUDEM



PRINCIPAL
SRI VASAVI ENGINEERING COLLEGE
PEDATADEPALLI
TADEPALLIGUDEM - 534 101

ANNEXURE-III

LIST OF FACULTY/RESOURCE PERSON

SR.NO	NAME AND ADDRESS	DESIGNATION	ORGANIZATION
1	2	3	4
1	Sri K.Surya Rao Eluru, West Godavari Dist- AP	Manager- LDB (Lead Bank)	Andhra Bank
2	A.Savin Baba Vizag, AP	CEO	Satya Sai EXIMS
3	Dr.P.C.Vengaiah East Godavari District- AP	Agricultural Scientist	Dr.YSRHU, Pandirimamidi East Godavari District
4	Sri Y.V.B.Prasada Rao Tanuku, AP	Corporate legal advisor	Freelance startup consultant and legal advisor
5	Sri G.Bapayya Sharma Tadepalligudem- AP	Office Superintendent And soft skill trainer	LIC of India, Tadepalligudem
6	Sri Y Narayana Rao Alumni – IIM- A	Agriculture Entrepreneur	Agriculture Entrepreneur
7	Dr.V.V.Hanumantha Rao Tadepalligudem- AP	Professor in English	Sri Vasavi Engineering College Tadepalligudem.
8	Dr.S.Krishna Murthy Naidu	Associate professor in MBA Dept. and Coordinator-EAC	Sri Vasavi Engineering College Tadepalligudem.



PRINCIPAL
**SRI VASAVI ENGINEERING COLLEGE
PEDATADEPALLI
TADEPALLIGUDEM - 534 101**

ANNEXURE – IV

LIST OF INDUSTRIES VISITED

Sr. No.	Name, Address and contact details	Products / Service
1	2	3
1	3F INDUSTRIES LTD., TADEPALLIGUEDEM Mr K Satyanarayana Manager- HR	Foods, Fats and Fertilizers.



PRINCIPAL
SRI VASAVI ENGINEERING COLLEGE
PEDATADEPALLI
TADEPALLIGUEDEM - 534 101

ANNEXURE – V

FEED BACK ANALYSIS OF PARTICIPANT

Programme Location: : Sri Vasavi Engineering College

Date: From 30-08-2018 to 01-09-2018

Total No. of. Participants for the EAC is 87

Q.1) From where you got the information about this programme?

- a) Pamphlets / Broacher b) News paper Advertisement c) Posters/ Hand Bills
d) Other (Please Specify) Faculty 70 (80.45%) Friend 17 (19.55%)

Q.2) What is your opinion about the duration of Programme?

- a) Short -10 (11.49%) b) Adequate- 77 (88.5%) c) Long-

Q.3) Did you find the Programme useful?

- a) Very much- 80 (91.95%) b) To some extent - 15 (17.24%)
c) Not useful- 2 (2.29%)

Q.4) Did it fulfill your expectations?

- a) Yes- 75 (86.2%) b) To some extent- 12 (13.79%) c) No

Q.5) Planning of the Programme

- a) Excellent - 80 (91.95%) b) Very good - 07 (8.05%) c) Good
d) Satisfactory e) Poor



PRINCIPAL
SRI VASAVI ENGINEERING COLLEGE
PEDATADEPALLI
TADEPALLIGUDEM - 534 101

DST – NIMAT PROJECT

POST PROGRAMME REPORT (PPR) OF EAC *(Effective from 01.04.2017)*

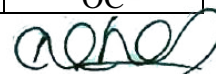
3. Name & Address of Programme : Entrepreneurship Awareness Camp Implementing Agency Sri Vasavi Engineering College,
(with Tel/ Fax /E-mail) Pedatadepalli, Tadepalligudem-53101
West Godavari District, A.P.
Ph:08818-284344,
Email: principal@srivasiennngg.ac.in
2. Programme Location : Sri Vasavi Engineering College
3. Programme Date : From 22-11-2018 to 24-11-2018
4. Name of the Coordinator : Dr. S.Krishna Murthy Naidu
7. No. of candidate attended the programme :70 (Male-43 Female-27)
6. List of participants : *ANNEXURE – I*
7. Program schedule : *ANNEXURE – II*
8. List of resource persons : *ANNEXURE – III*
9. List of industries visited : *ANNEXURE – IV*
10. Participant's feedback : *ANNEXURE – V*
11. Photographs of Programme : Attached the photographs


PRINCIPAL
SRI VASAVI ENGINEERING COLLEGE
PEDATADEPALLI
TADEPALLIGUDEM - 534 101

ANNEXURE – I

LIST OF PARTICIPANTS


Sr.No	Name of participant	Age	Male /Female	Education	Category: Gen / SC / ST /OBC / Minority
1	Aravind Vankadaru	20	Male	Civil	OC
2	AMISEJILIN V VAMSI KRISHNA	20	Male	CSE	OC
3	Swathi balagam	20	Female	CSE	OC
4	K.sri gandha	20	Female	CSE	OC
5	Kotna sai sri balaji	20	Male	CSE	OC
6	Chandini Mallidi	20	Female	CSE	OC
7	Nanduri naga Venkata Sri Lalitha	20	Female	CSE	OC
8	Sheik vahida	22	Male	CSE	BC
9	simhadri tejasri	20	Female	CSE	OC
10	Kavyanjana	20	Female	CSE	OC
11	Vempati. Manasa Sri Shanmukhi	20	Female	CSE	OC
12	Gowri sri priya varra	21	Female	CSE	OC
13	Sanku Tejasri	20	Female	CSE	OC
14	Y.d.p.raghava	21	Male	CSE	OC
15	Neha Katan Akula	20	Male	CSE	OC
16	Bobba Lavanya	20	Female	CSE	OC
17	Dodda satish	20	male	CSE	OC
18	Srija ganta	20	Female	CSE	OC
19	Prasad babu	20	male	CSE	BC
20	Matta Hemanth	20	male	CSE	BC
21	Viswanth	23	Male	CSE	BC
22	Dhana Perumalla	21	male	CSE	OC
23	Sahithi Pokala	22	Female	CSE	OC
24	Saikiran rayabarapu	23	Male	CSE	BC
25	Samant Kumar Nagesh Babu	21	Male	CSE	OC
26	M.V.D.S Vardhan	23	Male	CSE	OBC
27	V prasanna lakshmi	22	Female	CSE	OBC
28	Yedavalli purna samadh	21	male	CSE	OC
29	Jakki pragathi sree	22	Female	CSE	OBC
30	Koushika.pokanatu	21	male	ECE	OC
31	Alwaru.sai kiran	21	male	ECE	OC
32	Bellapukonda sailakshmi	22	Female	ECE	OC
33	BhavaJ Madev Varri	21	Female	ECE	OBC
34	Chamakuri manisai	21	male	ECE	OC
35	Satish chelli	21	male	ECE	OC
36	JAYAVARAPU PHANINDRA GUPTHA	21	male	ECE	OC



PRINCIPAL

SRI VASAVI ENGINEERING COLLEGE
PEDATADEPALLI
TADEPALLIGUDEM - 534 101

37	SANNIDHYA L S MARUTHI BHUSHANAM	22	male	Mechanical	OC
39	B. Bala Anjani	22	Female	ci	
40	P. Lakshmi Prassanna	20	Female	Civil	BC
41	Tananki Lahari	20	Female	Civil	BC
42	V. Saichaitanya	20	Male	Civil	OBC
43	Lolita Priya Manchi	20	Female	Civil	OC
44	Pathan Sama Begum	20	Female	CSE	BC
45	Ram Charan Patnala	20	Male	CSE	OC
46	SKAVANI TAMMINENI	20	Female	CSE	BC
47	ANNAM MAHESH BABU	19	Male	CSE	BC
48	Gowthamsai attanti	20	Female	CSE	BC
49	A.k.satyana rayana	19	Male	CSE	OC
50	Alla manikanta	20	Male	CSE	OC
51	vanapalli yaswanth Prasad	20	Male	CSE	OC
52	Kurasala navya sai anusha	20	Female	ECE	OC
53	Ramya Prathipati	19	Female	ECE	OC
54	Satyavarapu Soma sundara Venu Gopala Krishna	20	Male	ECE	SC
55	Hemanth Kumar Guntamukkala	17	Male	ECE	OC
56	ANDRATHU MURALI SATYA PAVAN	18	Male	ECE	OC
57	CHITLUKI NAGA VENKATA ANIL KUMAR	18	Male	EEE	OC
58	KOTURTI MAYUR SATYA SANTHOSH	18	Male	EEE	OC
59	Venkatesh naidu	18	Male	EEE	BC
60	Nalla Harsha Venkata Satya Sai Kalyan	18	Male	EEE	OC
61	Vanga Vinay Kumar	18	Male	Mechanical	OC
62	J.Venkat	20	Male	Mechanical	OC
63	T.B.V.Satish	19	Male	Diploma	BC-B
64	A.Bhaskar	18	Male	Diploma	BC-B
65	G.Venkatesh	18	Male	Diploma	BC-B
66	D.Venkatesh	18	Male	Diploma	OC
67	L.Teja	21	Female	M.B.A	BC-B
68	P.Hemanth Bhaskar	20	Male	B-Tech	BC
69	R.N.D.V. Prasad	20	Male	B-Tech	OC
70	D.V.V.V.Vardhan Babu	17	Male	Diploma	BC


 PRINCIPAL
 SRI VASAVI ENGINEERING COLLEGE
 PEDATADEPALLI
 TADEPALLIGUDEM - 534 101

ANNEXURE – II
PROGRAMME SCHEDULE

DATE AND DAY	SESSION*	SUBJECT/TOPIC	FACULTY
1	2	3	4
22/11/2018 1 ST DAY	I & II	Inauguration- Camp Objective, Entrepreneurship	Dr.S.Krishna Murthy Naidu Coordinator-EAC
	III	How to start a SSI unit Tech. & commercial Aspects of SSI unit, Mechanism of product selection and technology-assistance from R&D labs and others on choice of technology etc.	Sri G Raghuram, Assistant Director, Ministry of MSME, Vizag.
	IV	Financial aspects of SSI unit including salient features of a project report, Support and financial assistance from Govt. agencies, banks, financial institutions, SFCs and others-securities demanded by FIs/banks etc. Creativity and business- the man behind the venture -the behavioral scientist's approach.	Sri R Sridhar, Manager- Corporation Bank, Tadepalligudem.
23/11/2018 2 ND DAY	I & II	Historical background-Indian values vis-a-vis Entrepreneur ship and the present scenario	Sri Vamsi Krishna Das ISKCON, Bhimavaram
	III & IV	Lectures by practicing entrepreneur's success stories- common problems faced by entrepreneurs Communication skills (interacting with people) for better results, Identification of opportunities for entrepreneurs.	Dr.S.Krishna Murthy Naidu Coordinator-EAC
24/11/2018 3 RD DAY	I	Industrial Visit	Srinivasa Spinning Mills Tadepalligudem
	II & III	Discussion and Feedback	Dr.S.Krishna Murthy Naidu Coordinator-EAC



PRINCIPAL
SRI VASAVI ENGINEERING COLLEGE
PEDATADEPALLI
TADEPALLIGUDEM - 534 101

ANNEXURE-III

LIST OF FACULTY/RESOURCE PERSON

SR.NO	NAME AND ADDRESS	DESIGNATION	ORGANIZATION
1	2	3	4
1	Sri G Raghuram, Vizag	Assistant Director,	Ministry of MSME, Vizag.
2	Sri R Sridhar, Tadepalligudem	Branch Manager	Corporation Bank, Tadepalligudem.
3	Sri Vamsi Krishna Das ISKCON, Bhimavaram	Coordinator ISKCON Youth Forum,	ISKCON, Bhimavaram
4	Dr.S.Krishna Murthy Naidu	Associate professor & ED Resource person certified by EDII, Ahmedabad	Sri Vasavi Engg College, Tadepalligudem.



PRINCIPAL
SRI VASAVI ENGINEERING COLLEGE
PEDATADEPALLI
TADEPALLIGUDEM - 534 101

ANNEXURE – IV

LIST OF INDUSTRIES VISITED

Sr. No.	Name, Address and contact details	Products / Service
1	2	3
1	M/S Srinivasa Spintex (INDIA) Ltd, E Suresh, Executive Director	Cotton and threads

ANNEXURE – V

FEED BACK ANALYSIS OF PARTICIPANT

Programme Location: : Sri Vasavi
Engineering College, Tadepalligudem, Andhra
Pradesh

Date: From 22-11-2018 to 24-11-2018

Total No. of. Participants for the EAC is 70

Q.1) From where you got the information about this programme?

- a) Pamphlets / Broacher b) News paper Advertisement c) Posters/ Hand Bills
d) Other (Please Specify) Faculty 60 (85%) Friend 10 (15%)

Q.2) What is your opinion about the duration of Programme?

- a) Short -10 (15%) b) Adequate- 60 (85%) c) Long-0

Q.3) Did you find the Programme useful?

- a) Very much- 65 (92%) b) To some extent - 5 (8%) c) Not useful- 0

Q.4) Did it fulfill your expectations?

- a) Yes- 62 (88.5%) b) To some extent- 8 (11.4%) c) No

Q.5) Planning of the Programme

- a) Excellent - 66 (94%) b) Very good - 03 (4.2%) c) Good- 01(1.3%) d) Satisfactory e) Poor



PRINCIPAL
SRI VASAVI ENGINEERING COLLEGE
PEDATADEPALLI
TADEPALLIGUDEM - 534 101

Photographs







(Handwritten signature)

PRINCIPAL
SRI VASAVI ENGINEERING COLLEGE
PEDATADEPALLI
TADepALLIGUDEM - 534 101



Fwd: DST-NIMAT Project 2018-19: Sanction Order

Principal SVEC <principal@srivasaviengg.ac.in>
To: checkapparao@srivasaviengg.ac.in, "Sri Vasavi Engg. R&D Division" <deanrnd@srivasaviengg.ac.in>

Wed, Jul 4, 2018 at 5:03 PM

----- Forwarded message -----
From: Sareen <sareen@ediindia.org>
Date: Wed, 4 Jul 2018, 16:35
Subject: DST-NIMAT Project 2018-19: Sanction Order
To: <drskmnaidu@gmail.com>, <principal@srivasaviengg.ac.in>

This is a soft copy only for prior Information, no attachments included - (Hard copy with attachments already sent through Speedpost)

Dr. B. Brahmaiah
Principal
Sri Vasavi Engineering College
Tadepalligudem - 534 101
District: West Godavari
Andhra Pradesh

Kind Attention: Dr. S. Krishnamurthy Naidu, Associate Prof., (Dept. of Management Studies)

Dear Sir,

Sub: DST-NIMAT Project 2018-19: Sanction Order

Greetings from EDII, Ahmedabad!

This is with reference to your proposal submitted for conducting activities / programme(s) under the aegis of National Science & Technology Entrepreneurship Development Board (NSTEDB), Department of Science and Technology, Govt. of India, New Delhi.

We are happy to inform you that the following activities / programmes have been sanctioned:

Sr. No.	Activity / Programme	No.	Amount in Rs.	Locations
---------	----------------------	-----	---------------	-----------

1	Entrepreneurship Awareness Camp (EAC)	2	40000	As mentioned in proposal
Total		2	40000	

You are requested to please go through the enclosed **Guidelines / Terms & Conditions as it is mandatory to follow the same.**

Please note that the **first installment is to be released on receipt of the following documents;**

1. **Duly Signed Agreement**
2. **Duly Signed “Terms & Conditions” (each Page)**
3. **Action Plan [Annexure-I]**
4. **Bank Details [Annexure-IA]**

The funds will be transferred through RTGS/NEFT. Please make sure that the above said documents must reach us as early as possible, but not later than ONE MONTH of receiving this sanction letter. **Non receipt of the same may be considered as your unwillingness to take up the programme(s).**

As per point no. 11 of the enclosed Terms & Conditions, it is expected to generate results in terms of unit establishment from programmes like; EDP, WEDP and TEDP. Hope, you will design the required strategy to show case desired result.

For any additional information, please contact either me (Email ID: sareen@ediindia.org, Mobile: **09925110040**) or my colleague **Mr. Prakash Solanki** (Email ID: psolanki@ediindia.org, Mobile: **09723816384**).

We look forward to have a long term professional relationship.

Thanking you, with regards,

--
S. B. Sareen
Faculty & Head
Centre for SMEs & Business Development Services
Entrepreneurship Development Institute of India
P.O.Bhat - 382 428
Dist. Gandhinagar
Gujarat (India)

Tel.: 0091-79-23 96 91 63
Tele Fax: 0091-79-23 96 91 55 [Direct]
Fax: 0091-79-23 96 91 64
e.mail: sareen@ediindia.org
Mobile: 099 25 11 00 40

**Department of Electronics and
Communication Engineering**

HACKATHON
on
Digital System Design

A Hackathon is best experience a student can have apart from academics. We are here to promote design competitions and events help inspire and prepare students for careers in IC Design, Embedded Systems etc. Employees are looking to hire new graduates with demonstrated experience and skills.

This Hackathon help “Sharpen your skills, show off your talents, and strengthen your **RESUME**”.

Description of the competition: This competition allows every student to expose their skills in “**Digital System Design**”. This is a great opportunity for the students to learn and show their talent in developing a digital system using CAD tools.

Venue: ECAD Lab, Block-D, ECE Dept.
Date: 21-12-2019
Timings: 10:00 AM to 4:00 PM

Rules of competition:

- 4 Members per Team

Eligibility: **Diploma/B.Tech/M.Tech students**

Awards and certificates:

- Participation Certificates
- Cash Prizes for 1st Position – Rs.2000/-
2nd Position – Rs.1500/-

Registration:

Registration fees: Rs.100/-

Outcomes:

After completion of this program, the students will be able to

- Design various Subsystems using Hardware Description languages.
- Design and optimize a system to meet the design specifications.
- Identify the perfect modeling style to achieve high performance of a system.
- Demonstrate CAD Tools.

Program Coordinators:

- 1) Smt. Y.Sujatha
Mobile No: 9493890068
- 2) Sri. S.V.V.Satyanarayana
Mobile No: 9502554502

Technical Coordinators:

- | | |
|-------------------------------|--------------------|
| 1.Sri.D.R.Sandeep | 2.Sri.K.Rajesh |
| 3.Sri.P.V.V.Satyanarayana | 4.Sri.T.Sreenivasu |
| 5.Smt. K.N.V.S. Vijayalakshmi | |
| 6.Sri B.Mohan Kumar | |

Student Coordinators:

- 1.B.Leela Ramani
- 2.D.Rajeswari
- 3.G.Jnana Deepika
- 4.M.Naga Vinayaka
- 5.S.V.Gopala Swamy
- 6.V.Komali

Department of ECE

Under

VEDA

(Victorious Electronics with Dynamic Aspirants)

HACKATHON
on
Digital System Design

Registration Form

Name: _____

Roll No: _____

Year/Sem: _____

Mobile No: _____

Email ID: _____

Signature of the Participant:

Signature of the Head of the Department:











oohes

PRINCIPAL
SRI VASAVI ENGINEERING COLLEGE
PEDATADEPALLI
TADEPALLIGUDEM - 534 101



SRI VASAVI ENGINEERING COLLEGE (AUTONOMOUS)

PEDATADEPALLI, TADEPALLIGUDEM-534 101,
W.G.Dist.

Department of Computer Science & Engineering (Accredited by NBA)

ACADEMIC YEAR 2018-19

Citizen Hack@ DS'18


Circular

Students of Computer Science & Engineering are requested to attend Academic Workshop on November 24, 2018. The details are given below. You are requested to inform your department in case of any change.

The interested students register to the following link:

<https://www.citizenhack.com/citizenhack2018.html>

NOTE: Be ready to attend your work.


Head of the Department

Objectives: To provide an arena of students and faculty members in the area of Computer Science and Engineering.
Objectives: To utilize innovative learning methods for students, departments, to encourage higher student involvement in learning, to provide an opportunity of growth to students and faculty members in the area of Computer Science and Engineering, to provide an arena of students and faculty members in the area of Computer Science and Engineering.



SRI VASAVI ENGINEERING COLLEGE (AUTONOMOUS)

PEDATADEPALLI, TADEPALLIGUDEM-534 101,
W.G.Dist.

Department of Computer Science & Engineering (Accredited by NBA)

Library Book ID: 07/19

Students List

S.No	Name of the student	Branch	Name of the college	Year
1	S L S CHAITANYA	ECE	Sri Vasavi Engineering College	2 nd Batch
2	K RISHAVAN			
3	A P SURESH			
4	T RISHAVAN			
5	A P SURESH	ECE	Sri Vasavi Engineering College	2 nd Batch
6	A P SURESH			
7	SURESH	ECE	Sri Vasavi Engineering College	2 nd Batch
8	SURESH			
9	SURESH			
10	SURESH			
11	SURESH	MCA	WHITE	2 nd Batch
12	M ANAND			
13	SURESH			

(Signature)
Head of the Department

VISION: To create an arena of academic and research excellence in the field of Computer Science and Engineering.

MISSION: To utilize innovative learning methods for academic improvement.
To encourage higher studies and research to meet the futuristic requirements of Computer Science and Engineering.
To inculcate Ethics and human values for developing students with good character.



SRI VASAVI ENGINEERING COLLEGE (AUTONOMOUS)

PEDATADEPALLI, TADEPALLIGUDEM-534 101,
W.G.Dist.

Department of Computer Science & Engineering (Accredited by NBA)



Our Principal Sir addressing the participants in Citizen Hack@ DS'18



Our Technical Director Sir addressing the participants in Citizen Hack@
DS'18



SRI VASAVI ENGINEERING COLLEGE (AUTONOMOUS)

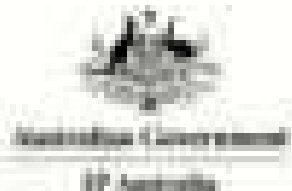
**PEDATADEPALLI, TADEPALLIGUDEM-534 101,
W.G.Dist.**

Department of Computer Science & Engineering (Accredited by NBA)



Winners in Citizen Hack@ DS'18 along with the team members

**PRINCIPAL
SRI VASAVI ENGINEERING COLLEGE
PEDATADEPALLI
TADEPALLIGUDEM - 534 101**



CERTIFICATE OF GRANT INNOVATION PATENT

Patent number: 2020101666

The Commissioner of Patents has granted the above patent on 26 August 2020, and certifies that the below particulars have been registered in the Register of Patents.

Name and address of patentee(s):

LALITHA S of Assistant Professor, Department of ECE, B.M.S. College of Engineering Bangalore, Karnataka, 560019. India

K SUNIL MANOHAR REDDY of Associate Professor, Department of CSE, Matrusri Engineering College 16-486, Saidabad, Hyderabad Telangana - 500059 India

MADHUSUDHAN K. N of Assistant Professor, Department of ECE, B.M.S. College of Engineering Bangalore, Karnataka, 560019. India

LOSHMA GUNISETTI of Associate Professor, Department of CSE, Sri Vasavi Engineering College Pedatadepalli, Tadepalligudem Andhra Pradesh - 534101 India

GNANA SELVAN S of Assistant professor, Jeyaraj Annapackiam CSI College of Engineering, Nazareth Tamil Nadu - 628617 India

PRATIBHA G of Degree Lecturer, Department of Computer Science TSWRDC Warangal East Telangana. India

Title of invention:

CENTRALIZED ARTIFICIAL INTELLIGENCE-BASED TOXICOLOGY TRAINING MODEL FOR ENVIRONMENTAL PUBLIC HEALTH ASSESSMENT

Name of inventor(s):

S., LALITHA; REDDY, K. SUNIL MANOHAR; K. N., MADHUSUDHAN; GUNISETTI, LOSHMA; S., GNANA SELVAN and G., PRATIBHA

Term of Patent:

Eight years from 5 August 2020

NOTE: This Innovation Patent cannot be enforced unless and until it has been examined by the Commissioner of Patents and a Certificate of Examination has been issued. See sections 120(1A) and 129A of the Patents Act 1990, set out on the reverse of this document.

Dated this 26th day of August 2020

Commissioner of Patents



Extracts from the Patents Act, 1990

Sec 120(1A) Infringement proceedings in respect of an innovation patent cannot be started unless the patent has been certified.

Sec 128 **Application for relief from unjustified threats**

- (1) Where a person, by means of circulars, advertisements or otherwise, threatens a person with infringement proceedings or other similar proceedings a person aggrieved may apply to a prescribed court, or to another court having jurisdiction to hear and determine the application, for:
- (a) a declaration that the threats are unjustifiable; and
 - (b) an injunction against the continuance of the threats; and
 - (c) the recovery of any damages sustained by the applicant as a result of the threats.
- (2) Subsection (1) applies whether or not the person who made the threats is entitled to, or interested in, the patent or a patent application.

Sec 129A **Threats related to an innovation patent application or innovation patent and courts power to grant relief.**

Certain threats of infringement proceedings are always unjustifiable.

- (1) If:
- (a) a person:
 - (i) has applied for an innovation patent, but the application has not been determined; or
 - (ii) has an innovation patent that has not been certified; and
 - (b) the person, by means of circulars, advertisements or otherwise, threatens a person with infringement proceedings or other similar proceedings in respect of the patent applied for, or the patent, as the case may be; then, for the purposes of an application for relief under section 128 by the person threatened, the threats are unjustifiable.

Courts power to grant relief in respect of threats made by the applicant for an innovation patent or the patentee of an uncertified innovation patent

- (2) If an application under section 128 for relief relates to threats made in respect of an innovation patent that has not been certified or an application for an innovation patent, the court may grant the applicant the relief applied for.

Courts power to grant relief in respect of threats made by the patentee of certified innovation patent

- (3) If an application under section 128 for relief relates to threats made in respect of a certified innovation patent, the court may grant the applicant the relief applied for unless the respondent satisfies the court that the acts about which the threats were made infringed, or would infringe, a claim that is not shown by the applicant to be invalid.

Schedule 1 **Dictionary**

certified, in respect of an innovation patent other than in section 19, means a certificate of examination issued by the Commissioner under paragraph 101E(e) in respect of the patent

Section 129(1A)

Repealed from the Statute Book, 1999

Section 129

Proceedings in respect of an innovation patent (continued)

Application for relief from unjustified threats
Where a person, by means of circulars, advertisements or otherwise, threatens a person with infringement proceedings or other similar proceedings in respect of an innovation patent, or a threatened threat, or a similar proceeding, the person is liable to civil proceedings for damages, or an injunction against the continuance of the threat, and the recovery of any damages sustained by the plaintiff as a result of the threat.

Section 129(1) applies whether or not the person who makes the threat is entitled to, or interested in, the patent or a patent application.

Threats related to an innovation patent application or innovation patent and courts power to grant relief

Certain threats of infringement proceedings are deemed actionable

(1)

(a)

(i) a person;
(ii) has applied for an innovation patent, but the application has not been substantiated; or

(b) has an innovation patent that has not been certified; and

(2) the person, by means of circulars, advertisements or otherwise, threatens a person with infringement proceedings or other similar proceedings in respect of the patent applied for, or the patent, as the case may be; then, for the purposes of an application for relief under section 128 by the person threatened, the threats are actionable.

Courts power to grant relief in respect of threats made by the applicant for an innovation patent or the proprietor of an un-certified innovation patent

(3)

If an application under section 128 for relief relates to threats made in respect of an innovation patent that has not been certified or an application for an innovation patent, the court may grant the applicant the relief applied for.

Courts power to grant relief in respect of threats made by the proprietor of certified innovation patent

(4)

If an application under section 128 for relief relates to threats made in respect of a certified innovation patent, the court may grant the applicant the relief applied for unless the respondent satisfies the court that the relief about which the threats were made infringed, or would infringe, a claim that is not shown by the applicant to be invalid.

Schedule 1

Dictionary

certified, in respect of an innovation patent other than a section 19, means a certificate of examination issued by the Commissioner under paragraph 12(1)(a) in respect of the patent

CERTIFICATE OF GRANT INNOVATION PATENT

Patent number: 2021100020

The Commissioner of Patents has granted the above patent on 27 October 2021, and certifies that the same inventions have been registered in the Register of Patents.

Name and address of patentee(s)

G. Palanisami, Associate Professor, Department of CSE, Chennai Engineering College, Chembur, Andhra Pradesh 522212 India

Satish Kumar, Manager or Assistant Professor, Department of CSE, Sri Venkateswara Engineering College, Penamaluru, Tadipatri, Andhra Pradesh 524101 India

Satish Kumar, L, Associate Professor, School of Computing Science and Engineering, GIT Global University, Sircusa, Madhya Pradesh 481114 India

B. Vasavi, Associate Professor, Department of CSE, Mata Jeevi Engineering College, Samsal, Telangana 502102 India

Chennamsetty Madhusudhana, Rank of Professor, Department of ECE, Jeeva Vignaneswara Engineering College, Tirumala, Andhra Pradesh 521002 India

M. Vasudha, Rank of Sr. Asst Professor, Department of CSE, GMRIT, Rajamahendravaram District, Andhra Pradesh, 522127 India

K.R.N. Kiran Kumar, Rank of Professor, Department of CSE, Mata Jeevi Institute of Technology, Manamangala, Dharmavaram (Dist) Samsal, Telangana 502102 India

Sarvesh Kumar, Senior of Department of Computer Science, UJSSU University, Bhimadole, Karnataka, India 751004 India

Sandeep Kumar, Assistant of Assistant Professor, Department of ECE, Ramesh & Institute of Technology, BDF Academy, Tenali, District, Madhya Pradesh 475004 India

B. Senthilnagaraj, Assistant Professor (Sr.G), Department of EEE, SRMIST, Madhavaram-Chengalpattu District, Tamil Nadu 604002 India

Tarun, Assistant of Research Scholar, Department of Computer Applications, National Institute of Technology (MIT) Raipur (Chhattisgarh) 492010 India

Sudhanshu, Assistant of Assistant Professor, Department of Computer Science & Information Technology (CSIT), Guru Dasabhai Vastwanayaka (A Central University), Kuni, Madhya Pradesh, India 481002 India

Title of invention:

MOBILE USER TRAJECTORY PREDICTION SYSTEM WITH EXTREME MACHINE LEARNING ALGORITHM.

Name of inventor(s)

Palanisami, G., Manjari, Satish Kumar, L., Satish Kumar, Vasavi, G., Raj, Chennamsetty Madhusudhana, Rank V, Vasudha, Kumar, K, R. N. Kiran, Sarvesh, Sandesh Kumar, Agrawal, Sandeep Kumar, Senthilnagaraj, B., Jaiswal, Tarun and Jaiswal, Sudhanshu



Date: this 27th day of October 2021

Commissioner of Patents

PATENTS ACT 1999

The Controller General of Patents, Designs and Trademarks, Government of India, New Delhi



Australian Government
Department of Industry

CERTIFICATE OF GRANT INNOVATION PATENT

Patent number: 2011303201

Term of Patent:

Eight years from 10 August 2011

NOTE: This Innovation Patent cannot be enforced unless and until it has been examined by the Commissioner of Patents and a Certificate of Examination has been issued. See sections 120(1A) and 120A of the Patents Act 1990, and also the remainder of this document.



Dated this 27th day of October 2011

Commissioner of Patents

PATENTS ACT 1990

Patents are granted under the authority of the Commissioner of Patents, Department of Industry, Australian Government

Extracts from the Patents Act, 1987

Section 107(1)

Infringement proceedings in respect of an invention patent issued in respect of which the patent has been certified.

Section 108

(1)

Application for relief from infringement threats

Where a person, by means of causing advertisements or otherwise, threatens a person with infringement proceedings or other similar proceedings a person aggrieved may apply to a prescribed court, or to another court having jurisdiction to hear and determine the application, for

- (a) a declaration that the threats are unjustifiable, and
- (b) an injunction against the continuance of the threats, and
- (c) the recovery of any damages sustained by the applicant as a result of the threats.

(2)

Subsection (1) applies whether or not the person who made the threats is certified as, or intended to be, the patentee of a patent application.

Section 109

Threats related to an invention patent application or invention patent and courts power to grant relief

Certain threats of infringement proceedings are unjustifiable

(1)

(a) a person

(i) has applied for an invention patent, but the application has not been accepted, or

(ii) has an invention patent that has not been certified, and

(b) the person, by means of causing advertisements or otherwise, threatens a person with infringement proceedings or other similar proceedings in respect of the patent applied for, or the patent, on the same day or days, for the purpose of an application for relief under section 108 by the person threatened, the threats are unjustifiable.

Courts power to grant relief in respect of threats made by the applicant for an invention patent of the invention of an unaccepted invention patent

(2)

If an application under section 108 for relief in respect of threats made in respect of an invention patent that has not been certified or an application for an invention patent, the court may grant the application the relief applied for.

Courts power to grant relief in respect of threats made by the proprietor of a certified invention patent

(3)

If an application under section 108 for relief relates to threats made in respect of a certified invention patent, the court may grant the applicant the relief applied for unless the respondent satisfies the court that the acts about which the threats were made infringe, or would infringe, a claim that is not shown by the applicant to be invalid.

Schedule 1

Dictionary

certified, in respect of an invention patent other than a section 18, means a certificate of examination issued by the Commissioner under paragraph (1)(b)(ii) in respect of the patent.



SRIVASAVIENGINEERINGCOLLEGE(AUTONOMOUS)
(Sponsored by Sri Vasavi Educational Society)
(Approved by AICTE, New Delhi & Permanently affiliated to JNTUK, Kakinada)
(Accredited by NAAC with 'A' Grade, Recognized by UGC under section 2(f) &
12(B)) (NBA Accreditation to B.Tech., EEE, CSE, ME and ECE Branches for 3 Years)
Pedatadepalli, TADEPALLIGUDEM-534101, W.G. Dist. (A.P)

Patent Details:

2023-2024:

S. No.	Title of the Patent	Inventors	Patent Number with filing date	Date of Published/Status	Department
1.	Pranamask 2020	Dr. M. Thamarai Er.S.N. Poorvasivam Dr. E. Kusuma Kumari Dr. Purnima K. Sharma Mrs. TVNL. Aswini	Patent No. 202041044180 Filing date:10.10.2020	Granted	ECE
2.	A Novel meander line multiband Antenna with Parasitic elements	1.Dr.Purnima K Sharma 2.Dr.M.Thamarai 3.Dr.E.Kusuma Kumari	30th January 2019 with patent No.201911003653	Granted	ECE
3.	DRONE SEED REPLANTS TREES TO KEEP FORESTS HEALTHY	Dr.Kare Dorathi	202321002962 Filing date 14/01/2023	Published on 27/01/2023	MECH


PRINCIPAL
SRI VASAVI ENGINEERING COLLEGE
PEDATADEPALLI
TADEPALLIGUDEM - 534 101



भारत शासक, नया दिल्ली



भारत शासक, नया दिल्ली

The Patent Office, Government Of India

भारत शासक, नया दिल्ली

Patent Certificate

(Date Granted as per law)

(Date of Publication)

पेटेंट नं. / Patent No.	448804
अर्जा नं. / Application No.	202041044180
पेटेंट का श्रेणी / Class of Invention	40100000
पेटेंट / Patent	अनन्य / Non-Provisional

इसमें घोषित किया जाता है कि पेटेंट नं. 448804 अर्जा नं. 202041044180 के अधीन एक पेटेंट प्रमाण पत्र प्रदान किया गया है, जिसमें निम्नलिखित विवरणों का उल्लेख है: पेटेंट नं. 448804 अर्जा नं. 202041044180 के अधीन प्रदान किया गया है, जिसमें निम्नलिखित विवरणों का उल्लेख है: पेटेंट नं. 448804 अर्जा नं. 202041044180 के अधीन प्रदान किया गया है, जिसमें निम्नलिखित विवरणों का उल्लेख है:

It is hereby certified that a patent has been granted to the person(s) in accordance with the provisions of the Patent Act, 1970. The patent is granted for the term of 10 years from the date of publication of the patent as mentioned in the certificate of grant of patent. The patent is granted for the term of 10 years from the date of publication of the patent as mentioned in the certificate of grant of patent.



Signature of Controller of Patents

पेटेंट नं. 448804 अर्जा नं. 202041044180

ध्यान दें - इस पेटेंट प्रमाण पत्र में उल्लेखित विवरणों का उल्लेख है, जो कि पेटेंट प्रमाण पत्र प्रदान किया गया है, जिसमें निम्नलिखित विवरणों का उल्लेख है: पेटेंट नं. 448804 अर्जा नं. 202041044180 के अधीन प्रदान किया गया है, जिसमें निम्नलिखित विवरणों का उल्लेख है:



የትምህርት ስም ማረጋገጫ

የትምህርት ስም: 000000
የትምህርት ቤቅ ስም: 0000000000
የትምህርት ቤቅ አይ.ኤም.ኤም. (J.M.B.): 00000000
የትምህርት ቤቅ አድራሻ: የአዲስ አበባ ከተማ አስተዳደር





2022-2023

S. No.	Title of the Patent	Inventors	Patent Number with filling date	Date of Published/Status	Department
1	Enhancing Spoken Language Using Systematic Functional Linguistics (SFL) and Communicative Linguistics	Venkata Ramana Manipatruni	202241047782 A Date of filing of Application :22/08/2022	Publication Date : 23/09/2022	BSH (English)

Part 1: Title of the project - Following System / Project / Study / Research / Plan / Report / Report (CR) and Commissioning / License

Title of the project - Following System / Project / Study / Research / Plan / Report / Report (CR) and Commissioning / License		Project / System / Study / Research / Plan / Report / Report (CR) and Commissioning / License
1.1
1.2
1.3
1.4
1.5
1.6
1.7
1.8
1.9
1.10
1.11
1.12
1.13
1.14
1.15
1.16
1.17
1.18
1.19
1.20
1.21
1.22
1.23
1.24
1.25
1.26
1.27
1.28
1.29
1.30
1.31
1.32
1.33
1.34
1.35
1.36
1.37
1.38
1.39
1.40
1.41
1.42
1.43
1.44
1.45
1.46
1.47
1.48
1.49
1.50
1.51
1.52
1.53
1.54
1.55
1.56
1.57
1.58
1.59
1.60
1.61
1.62
1.63
1.64
1.65
1.66
1.67
1.68
1.69
1.70
1.71
1.72
1.73
1.74
1.75
1.76
1.77
1.78
1.79
1.80
1.81
1.82
1.83
1.84
1.85
1.86
1.87
1.88
1.89
1.90
1.91
1.92
1.93
1.94
1.95
1.96
1.97
1.98
1.99
1.100

The applicant hereby declares that the information provided in this application is true and correct to the best of their knowledge and belief. The applicant understands that the Commission may require the applicant to provide further information or clarification as may be required. The applicant understands that the Commission may require the applicant to provide further information or clarification as may be required. The applicant understands that the Commission may require the applicant to provide further information or clarification as may be required.

No. of Pages: 11 No. of Sheets: 2

2021-2022

S. No.	Title of the Patent	Inventors	Patent Number	Date of Published/ Status	Department
1.	Cloud Computing Platform for Patient E-Health System	Dr.M.Koteswara Rao	202241006220	11-02-2022 published	ECE
2.	A novel Robust Method for pattern Recognition with enhanced micro structure descriptors based classification.	Dr.Satish Kumar Maragani	Patent No. 202141033370 Filling date:25-7-2021	Date of publication: 30/7/2021 Journal .no.31/2021	ECE
3.	Smart Drainage System for Mosquito control	Dr.M.Thamarai Dr.Purnima K Sharma Mr.K S SKiran Mr.S.N.Poorvasivam Mr.R.N.V.A.S.Manikanta Mr.P.M.N.V.S.SaiHarsha	Patent No. 202141033370 Filling date:27-8-2021	Date of publication: 10/9/2021 Journal .no.37/2021	ECE
4.	Mobile User Trajectory Prediction System With Extreme Machine Learning Algorithm	Dr. M. Satish Kumar	2021105525	Granted on 27 OCT 2021	ECE
5.	Deep Learning Based Automatic Disease Detection and Classification Device for paddy crop	Sri P. SudheerChakravarthi	202111052444	Date of Publication: 26/11/2021	ECE
6.	Machine Learning Based Approach To Detect Anomalies In Iot Devices	Dr.P.LaxmiKanth Dr.D.Jaya Kumari Mr.K.SatyaNarayana Mr.K.Praveen Kumar Mr.M.Chilaka Rao	202241008733	Date of Publication: 11/02/2022	CSE
7.	An Iot Based Health Monitoring System To Facilitate Treatment During Pandemic	Mr.K.Praveen Kumar	202241005440	Date of Publication: 04/03/2022	CSE
8.	MULTILEVEL INVERTER (MLI) CIRCUIT FOR DC-AC POWER CONVERSION	Dr. AnilkumarChappa	202241061706	12-02-2022	EEE
9.	Three-Port Converter for Induction Motor Drive System	Ch. Srinivas& V. S. Aditya	202141039042	28-08-2021	EEE



PRINCIPAL
SRI VASAVI ENGINEERING COLLEGE
PEDATADEPALLI
TADEPALLIGUDEM - 534 101



Application Form

Applicant's Name	Category
Roll No. / Date	Address
Applicant's Details	<input type="checkbox"/> Government Employee <input type="checkbox"/> Self-employed <input type="checkbox"/> Unemployed <input type="checkbox"/> Retired <input type="checkbox"/> Other
Trade / Course	Qualification / Experience / Employment Status
Marital Status	Marital Status
Family Size	Residential Address
Applicant's Contact Information	
Mobile No.	
Home Phone No.	
Signature and Date	Signature

Application Fee

Application Form

Awaiting Request for Examination

The Title of the service: 000007 00000000 000000 000000 000000 000000

(21) International Classification	A63M23/00 (2006) A63M23/02 (2006) A63M23/03 (2006) A63M23/04 (2006)	(21) Place of Applicant: 12th FL NEW YORK Address of Applicant: Federal Department of ECE 20 Sector: Engineering / Urban Infrastructure / Water Treatment Sector: Public Sector / Public Authority / Public
(22) Priority Document No.	355	(22) Place of Service:
(23) Priority Date	2024	12th FL NEW YORK
(24) Name of priority applicant	355	12th Floor, Parsons & Moran
(25) International Classification No.	355	1000 & N Y Blvd
- Filing Date	2024	47th FL N Y
(27) International Publication No.	355	47th FL N Y A 11th Floor
(31) Place of address of Applicant	355	47th FL N Y A 11th Floor
- Filing Date	2024	
(32) Document & Application Number	355	
- Filing Date	2024	

(37) Summary:
The water drainage system from the drainage channels and collects the wastewater flowing into the open pipe drainage. The system consists of that water, a selected inlet, a selected entry unit, and a filter unit type drainage cleaning unit, and a filter unit with screen. The proposed automatic drainage cleaning system is allowed to serve as the device and which is installed on the drainage network. The selected inlet covers the channel entry unit and filter unit type cleaning unit and automatic controller. The selected entry unit comprises a channel tank, channel inlet valve, flapgate, pump and is provided by the selected controller using a single channel inlet valve. The system cleanses the drainage network with the help of a 400 L filter unit type cleaning unit and provides water required to the drainage pipe. The pump unit comprises a controller, provides the self-cleaning unit one of the water drainage network, drain cleaning device. The pump unit is used to keep the water drainage network unit and maintain the water level using the pump cleaning device. The pump unit filters the wastewater with the water cleaning unit and provides through a 400 L controller. The Filter Unit is the device used to pump to activate the second cleaning process of the water drainage network by the water cleaning and channel entry operation.



CERTIFICATE OF GRANT INNOVATION PATENT

Patent number: 201100000

The Commissioner of Patents has granted the above cited innovation patent, and will issue the certificate of grant in accordance with the provisions of the Patent Act, 1999.

Name and address of patentee(s)

1. Assistant Professor, Department of IIT, Anna Engineering College, Madhavaram, Chennai 600030 India

2. Assistant Professor, Department of IIT, Anna Engineering College, Madhavaram, Chennai 600030 India

3. Assistant Professor, Department of IIT, Anna Engineering College, Madhavaram, Chennai 600030 India

4. Assistant Professor, Department of IIT, Anna Engineering College, Madhavaram, Chennai 600030 India

5. Assistant Professor, Department of IIT, Anna Engineering College, Madhavaram, Chennai 600030 India

6. Assistant Professor, Department of IIT, Anna Engineering College, Madhavaram, Chennai 600030 India

7. Assistant Professor, Department of IIT, Anna Engineering College, Madhavaram, Chennai 600030 India

8. Assistant Professor, Department of IIT, Anna Engineering College, Madhavaram, Chennai 600030 India

9. Assistant Professor, Department of IIT, Anna Engineering College, Madhavaram, Chennai 600030 India

10. Assistant Professor, Department of IIT, Anna Engineering College, Madhavaram, Chennai 600030 India

11. Assistant Professor, Department of IIT, Anna Engineering College, Madhavaram, Chennai 600030 India

12. Assistant Professor, Department of IIT, Anna Engineering College, Madhavaram, Chennai 600030 India

Title of invention

INTELLIGENT IMAGE RECOGNITION SYSTEM WITH EXTENSIVE MACHINE LEARNING ALGORITHM

Name of inventor(s)

1. Assistant Professor, Department of IIT, Anna Engineering College, Madhavaram, Chennai 600030 India
2. Assistant Professor, Department of IIT, Anna Engineering College, Madhavaram, Chennai 600030 India
3. Assistant Professor, Department of IIT, Anna Engineering College, Madhavaram, Chennai 600030 India
4. Assistant Professor, Department of IIT, Anna Engineering College, Madhavaram, Chennai 600030 India
5. Assistant Professor, Department of IIT, Anna Engineering College, Madhavaram, Chennai 600030 India
6. Assistant Professor, Department of IIT, Anna Engineering College, Madhavaram, Chennai 600030 India
7. Assistant Professor, Department of IIT, Anna Engineering College, Madhavaram, Chennai 600030 India
8. Assistant Professor, Department of IIT, Anna Engineering College, Madhavaram, Chennai 600030 India
9. Assistant Professor, Department of IIT, Anna Engineering College, Madhavaram, Chennai 600030 India
10. Assistant Professor, Department of IIT, Anna Engineering College, Madhavaram, Chennai 600030 India
11. Assistant Professor, Department of IIT, Anna Engineering College, Madhavaram, Chennai 600030 India
12. Assistant Professor, Department of IIT, Anna Engineering College, Madhavaram, Chennai 600030 India



201100000 dated 15th October 2011

Commissioner of Patents

PATENTS ACT 1999



Accounts Form

APPLICABLE NUMBER :

APPLICABLE DATE :

Account Code / Code

Financial Institution

Account Name

Address

Account No. / Code

1. Government of Karnataka (Govt. of Karnataka)
2. Government of Karnataka (Govt. of Karnataka)
3. Government of Karnataka (Govt. of Karnataka)
4. Government of Karnataka (Govt. of Karnataka)
5. Government of Karnataka (Govt. of Karnataka)
6. Government of Karnataka (Govt. of Karnataka)
7. Government of Karnataka (Govt. of Karnataka)
8. Government of Karnataka (Govt. of Karnataka)
9. Government of Karnataka (Govt. of Karnataka)
10. Government of Karnataka (Govt. of Karnataka)
11. Government of Karnataka (Govt. of Karnataka)
12. Government of Karnataka (Govt. of Karnataka)

Account No. / Code

Account Name / Address / Branch / Sub-Branch / Office / Department / Section / Division / Region / District / Taluk / Village / Panchayat / Gram Panchayat / Taluk Panchayat / District Panchayat / State Panchayat / Union Panchayat / Municipal Corporation / Municipal Council / Municipal Committee / Municipal Ward / Municipal Ward No. / Municipal Ward Name / Municipal Ward Code / Municipal Ward Address / Municipal Ward Phone No. / Municipal Ward Email / Municipal Ward Website / Municipal Ward Social Media / Municipal Ward Contact Person / Municipal Ward Contact No. / Municipal Ward Contact Email / Municipal Ward Contact Website / Municipal Ward Contact Social Media / Municipal Ward Contact Contact Person / Municipal Ward Contact Contact No. / Municipal Ward Contact Contact Email / Municipal Ward Contact Contact Website / Municipal Ward Contact Contact Social Media / Municipal Ward Contact Contact Person / Municipal Ward Contact Contact No. / Municipal Ward Contact Contact Email / Municipal Ward Contact Contact Website / Municipal Ward Contact Contact Social Media

Account No. / Code

Account Name

Account No. / Code

Account Name

Account No. / Code

Account Name

Account No. / Code

Account No. / Code

Account No. / Code

Account No. / Code



Accounts Form

APPLICABLE NUMBER	APPLICABLE DATE
Annual Accounts Form	Financial Institutions
Quarterly Return	Financial
Annual Cash Audit	1. Financial Institutions (except Banks) 2. Banks (except Banks) 3. In Financial Institutions 4. Banks (except Banks) 5. In Banks 6. In Banks 7. Banks (except Banks) 8. In Banks 9. Banks (except Banks) 10. Banks (except Banks) 11. Banks (except Banks) 12. In Banks
FD & FD Accounts	Financial Institutions (except Banks) to be set up immediately in all banks
Financial Institutions	Financial Institutions
Banks, etc. (FD Accounts)	Financial Institutions
Financial Institutions, Banks, etc. (FD Accounts)	Financial Institutions
Banks (FD Accounts)	
Financial Institutions	
REQUEST FOR DOCUMENTS DATE	



Ministry of Information and Public Relations
 Government of India

(<http://ipindia.nic.in/index.htm>)



Ministry of Information and Public Relations

Application Details

Application Number	2011/11/11
Application Type	Information on IP of India
Applicant Name	IP of India
Applicant Address	<ol style="list-style-type: none"> 1. 10, Indraprastha Estate 2. 10, Indraprastha Estate 3. 10, Indraprastha Estate 4. 10, Indraprastha Estate 5. 10, Indraprastha Estate
Applicant Contact No.	91-11-26101111
Applicant E-mail	ipindia@nic.in
Applicant Website	www.ipindia.nic.in
Applicant Category	Government of India
Applicant Status	Active
Applicant Type	Information on IP of India
Applicant Address	10, Indraprastha Estate



Office of the Controller General of Patents, Designs & Trade Marks
 Department of Industrial Policy & Promotion,
 Ministry of Commerce & Industry,
 Government of India.

(<http://ipindia.nic.in/index.htm>)



<http://ipindia.nic.in/index.htm>

Application Details

APPLICATION NUMBER	30214100062
APPLICATION TYPE	Ordinary APPLICATION
DATE OF FILING	18/06/2021
APPLICANT NAME	<ol style="list-style-type: none"> 1. Dr. Nadia Narendra Saha 2. Mr. K. Nagaraja 3. Mrs. Tulasani Prathappa 4. Mr. Sr. Anantha 5. Dr. D. Ramesh 6. Mr. Madhu Naraina 7. Dr. Arangan Kulkarni 8. Dr. Srinivas Kulkarni 9. Mr. Chandrashekhara 10. Mr. Subrahmanya Kulkarni 11. Mr. Gopinath Manoj Kumar
TITLE OF INVENTION	WIRELESS CONVERTER FOR INDUCTION MOTOR DRIVE SYSTEM
FIELD OF INVENTION	ELECTRICAL
E-MAIL (By Per Se Inventor)	ipindia@nic.in
ADDITIONAL E-MAIL (By Per Se Inventor)	
E-MAIL (RIGHTS OWNER)	
PRIORITY DATE	
REQUEST FOR EXAMINATION DATE	---
PUBLICATION DATE (As per)	18/06/2021

2020-2021

S. No.	Title of the Patent	Inventors	Patent Number with filing date	Date of Published/ Status	Department
1.	A Defected Ground Antenna For Wireless Body Area Network	Dr.Purnima K Sharma Dr. E. Kusuma Kumari	2021100926	Granted on 14 April 2021	ECE
2.	A Coin Recognition System for blind People	Dr.M.Koteswara Rao	202141012130	02-04-2021 published	ECE
3.	Prana Mask 2020	Dr. M. Thamarai Er.S.N. Poorvasivam Dr. E. Kusuma Kumari Dr. Purnima K. Sharma Mrs. TVNL. Aswini	Patent No. 202041044180 Filing date:10.10.2020	Date of publication:16/10/2020 Journal .no.42/2020 FER Report received and response also submitted.	ECE
4.	Method, System And Device For Intrusion Detection	Dr. D Jaya Kumari	202141022170	Published 11/06/2021	CSE
5.	A Method For Information On Arrival Time Of Buses At Bus Stop	Dr G Loshma	202141013781 A	02/04/2021	CSE
6.	A Coin Recognition System For Blind People	Dr O Sri Nagesh	202141012130A	02/04/2021	CSE
7.	Interactive multimedia performance assessment system	Dr G Loshma	20214100808A	05/03/2021	CSE
8.	DSD,PredictGender,Age,Country and Meaning:Detect Sound And Their Gender,Age,Country And MeaningUsing Deep Learning	Dr. O Sri Nagesh	202041053285A	25/12/2020	CSE
9.	Smart Fruit Picker For Fruit Categorization And Quality Identification	Dr. K ShirinBhanu Dr. G Loshma Dr. J VeeraRaghavan Mr. Ch Raja Ramesh	20204103669A	11/09/2020	CSE
10.	A Method And Apparatus For Voice-Based Smart Bluetooth Switching And Relaying With Multiple Peer-To-Peer Bluetooth Connections	Mr. S Kumar Reddy Mallidi	20204103434A	04/09/2020	CSE
11.	A System For Detecting And Identifying The Number Plate Of An At Least A Vehicle	Mr. S Kumar Reddy Mallidi	202041037446 A	31/08/2020	CSE
12.	Centralized Artificial Intelligence BaseToxicology Training Model For Environmental Public Health Assessment	Dr. G.Loshma	2020101666	Granted 26/08/2020	CSE

13.	An Apparatus For Authenticating And Assessing The Driving Skills Of An At An Apparatus For Authenticating And Assessing The Driving Skills Of An AtLeast A Person	Mr. S Kumar Reddy Mallidi	20204103380A	21/08/2020	CSE
14.	System And Method For Multiple Group Session Key Agreement Based On Blockchain Smart Contract Centric Computing	Dr. V S Naresh	20204103103A	31/07/2020	CSE
15.	An AI Based EV Battery Charging Controller with Enhanced Battery Management	Mr. N.MadhuSudhan Reddy	202141050407	11/3/2021.	EEE
16.	Deep Learning Based Fault Detection Electrical Distribution Network	Mr.V. Rama Narayana & Mr.G.MadhuSagar Babu	202141049829	12-11-2021	EEE


 PRINCIPAL
 SRI VASAVI ENGINEERING COLLEGE
 PEDATADEPALLI
 TADEPALLIGUDEM - 534 101



Indian Government
© 2020

CERTIFICATE OF GRANT INNOVATION PATENT

Patent number: 001108626

The Commissioner of Patents has granted the above patent on 14 April 2021, and certifies that the above certificate has been registered in the Register of Patents.

Name and address of patentee(s)

- Rakesh Kumar, State of Deputy Manager, Jharkhand Engineering India Pvt Ltd, Jharkhand India
- Rishabh, Teacher of Assistant Professor (ECE Dept.), OJASICT, Assam India
- Dr. Parthasarathi Venkatesh Reddy, Research Scholar (CEMAT), Manipal Institute of Technology India
- Dr. R. Kumar, Super of Assistant Professor, Engineering College, Jharkhand (Rajshahi), Jharkhand India
- Pavan Lal, Lecturer of Assistant Professor, Engineering College, Jharkhand (Rajshahi), Jharkhand India
- E. Anurag Kumar, Kumar of Professor (ECE Dept.), SVET, Talasiguntur Andhra Pradesh India
- Dr. S. Anand, Anand of Assistant Professor (ECE Dept.), COET (Degree Wing) Chandigarh India
- Sunil K. Singh, Singh of Professor (ECE Dept.), COET (Degree Wing) Chandigarh India
- Poojita K. Sharma, Sharma of Associate Professor (ECE Dept.), SVET, Talasiguntur Andhra Pradesh India
- Dr. S. S. Sharma, Sharma of Assistant Professor (ECE Dept.), COET (Degree Wing) Chandigarh India

Title of invention

A DIRECTED BEAM ANTENNA FOR WIRELESS WIDEN AREA NETWORK

Name of inventor(s)

Dr. S. S. Sharma, Kumar, Pavan, Anurag, Varsha, Mr. Suman, Dr. R. Kumar, Lal, Pavan, Lal, Kumar, E. Anurag, Anand, Anand, Singh, Sunil K. Sharma, Poojita K. and Shantnu, Sharma

Term of Patent

Eight years from 14 February 2021

NOTE: This innovation Patent cannot be enforced unless and until it has been examined by the Commissioner of Patents and a Certificate of Examination has been issued. See sections 100(1A) and 108A of the Patents Act 1970, set out on the reverse of the attached



Dated this 14th day of April 2021
Commissioner of Patents

PATENTS ACT 1970



Application Form

Applicant's Name	Registration Number
Address	Category
City/Town/Village	Gender
State	Religion
Parent's Name	Marital Status
Parent's Address	Occupation
Parent's City/Town/Village	Income
Parent's State	Assets
Parent's Occupation	Remarks
Parent's Income	
Parent's Assets	
Parent's Remarks	
Signature of Applicant	Signature of Parent
Date	Place

Application Form

Applying Request for Examination

Title of the concrete: PAPER MOLD

(1) Inventor/Inventors:

NAME

(1) Name of Applicant:

500 N. Flower St

(2) Priority Document No.

NO.

(Address of applicant: Address, NE Department, NE Street)

(3) Priority Date

NO.

Engineering Office, Indianapolis, West Central City

(4) Name of priority country

NO.

Agency Profile/entry/Profile Code

(5) International application No.

NO.

(2) Name of Invention:

Filing Date

NO.

STEEL Reinforcement

(6) International Publication No.

NO.

500 N. Flower St

(7) Name of additional Applicant/Inventor

NO.

500 N. Flower St

Filing Date

NO.

500 Parkside & Avenue

(8) Invention in Application Number

NO.

500 E. Kansas Street

Filing Date

NO.

500 West Street

Abstract:

The Paper Mold (2020) is a new concrete mold. The concrete moldable property of the mold covers the area and the overall shape of the mold. A steel casting on left side of the triangular portion is used to provide stability by providing and a shape portion on right side of the concrete mold included on during handling. The triangular portion has two flat rectangular rollers on each side with steel portion for being set rotated on with the rotating on during handling and lower portion for support handling arrangement in the same circumferential cylindrical portion. The roller system in the mold advances the concrete from the left to the right side of the mold and the rollers and rollers which are placed in between the rollers to be in the mold. The roller system placed at the top left side of the mold front of the mold provides support requirements for the roller system. The roller system being to move by using the roller system and roller roller. The mold can be easily rotated using handle on roller system for handling. The mold is intended for concrete pouring and concrete pouring for the mold.



(<http://ipindia.nic.in/index.htm>)



www.cbse.gov.in

Registration Form

Registration Number:	00000000000000000000
Registration Type:	General Candidate
Registration Mode:	Online
Registration Level:	<input type="radio"/> All India <input type="radio"/> State Candidate
Registration Category:	<input type="radio"/> General <input type="radio"/> Other (Please specify the category in Remarks)
Registration Status:	Active
Registration Date:	12/01/2019
Registration Validity:	12/01/2019 - 31/03/2019
Registration Fee:	0.00
Registration Fee Paid:	0.00

Registration Status

Registration Status:	Awaiting Request for Examination
----------------------	---

Table 2

Table 3

Table 4

Category	Sub-category	Value	Source of solution
Table 2	Category 1	1.1	Table 2, Solution 1
	Category 2	1.2	Table 2, Solution 2
	Category 3	1.3	Table 2, Solution 3
	Category 4	1.4	Table 2, Solution 4
	Category 5	1.5	Table 2, Solution 5
	Category 6	1.6	Table 2, Solution 6
	Category 7	1.7	Table 2, Solution 7
	Category 8	1.8	Table 2, Solution 8
	Category 9	1.9	Table 2, Solution 9
	Category 10	1.10	Table 2, Solution 10
	Category 11	1.11	Table 2, Solution 11
Table 3	Category 1	2.1	Table 3, Solution 1
	Category 2	2.2	Table 3, Solution 2
	Category 3	2.3	Table 3, Solution 3
	Category 4	2.4	Table 3, Solution 4
	Category 5	2.5	Table 3, Solution 5
	Category 6	2.6	Table 3, Solution 6
	Category 7	2.7	Table 3, Solution 7
	Category 8	2.8	Table 3, Solution 8
	Category 9	2.9	Table 3, Solution 9
	Category 10	2.10	Table 3, Solution 10
	Category 11	2.11	Table 3, Solution 11

The following text provides a detailed explanation of the data presented in the tables, including any necessary context or methodology. It describes the sources of the solutions and the specific values associated with each category.

Application Number: 01/14/2024
Date of Prep: 20/03/2024 21:26:44
Type Of Approval: SP
Title Of Invention: Incentive multi-level performance assessment system
Address Of Inventor: Dr. Nugent K. Shungu, Associate Professor, BSB Business School, Eastview city, Singapore
Address Of Applicant: Dr. Nugent K. Shungu, Dr. Suresh Jais, Dr. Sunil Paramanava Gowth, Dr. D.M. Manasa, Dr. Praveena F, Dr. Suresh M, Dr. Latha (Suresh), Dr. Shobha Menon, Dr. Pooja Suresh Prasad
Applicant Address: Associate Professor, BSB Business School, Eastview city, Singapore, ngshungu@bsb.in 0855294601

No. No.	Applicant Name	Applicant Title	Address
1	Dr. Nugent K. Shungu	SP	Associate Professor, BSB Business School Eastview city, Singapore ngshungu@bsb.in 0855294601
2	Dr. Suresh Jais	SP	Professor, Department of Computer Science Engineering, St. Lawrence University, Jalan Bukit Timah, Singapore 110120, Phone No. 97332070
3	Dr. Sunil Paramanava Gowth	SP	Associate Professor, Department of Computer Science, Karnataka State Open University, Manipalgarh, Mysore, 577002, Ph- 08245812441 / 9880108802, Tel. 9880108802 / 9880108803 / 9880108804 / 9880108805
4	Dr. D.M. Manasa	SP	Associate professor, Dept of Computer Science, Karnataka State Open University, Manipalgarh, Mysore, 577002, Email: manasa.dmg@ksou.ac.in, Phone No. 9880108802
5	Dr. Praveena F	SP	Assistant professor, Dept of Computer Science, Maratha college, University of Mysore, Mysore, 570018, praveena.f@marathacollege.ac.in, Phone: 9880108804
6	Dr. Suresh M	SP	Associate professor, Dept of CSE, Kuvempu University, College of Engineering, St. Joseph, Chikballapur, Mysore, 577002, Email: suresh.m@kuvempu.ac.in, Phone: 9880108804
7	Dr. Latha (Suresh)	SP	Associate Professor, IITB, St. Xavier Engineering College, Parambathur, Tiruppur, Tamil Nadu, 643001, Email: latha@iitb.ac.in, Phone: 9880108804
8	Dr. Shobha Menon	SP	Associate Professor, IITB, St. Xavier Engineering College, Parambathur, Tiruppur, Tamil Nadu, 643001, Email: shobha.m@iitb.ac.in, Phone: 9880108804
9	Dr. Pooja Suresh Prasad	SP	Associate Professor, IITB, St. Xavier Engineering College, Parambathur, Tiruppur, Tamil Nadu, 643001, Email: pooja.p@iitb.ac.in, Phone: 9880108804

The table below lists the courses offered in the Department of Psychology. The table lists the course number, course title, credit hours, and the instructor for each course. The table is organized by course number.

Course Number	Course Title	Credits	Instructor
PSY 101	Introduction to Psychology	3	Dr. [Name]
PSY 102	Biological Psychology	3	Dr. [Name]
PSY 103	Developmental Psychology	3	Dr. [Name]
PSY 104	Abnormal Psychology	3	Dr. [Name]
PSY 105	Health Psychology	3	Dr. [Name]
PSY 106	Environmental Psychology	3	Dr. [Name]
PSY 107	Industrial/Organizational Psychology	3	Dr. [Name]
PSY 108	Personality Psychology	3	Dr. [Name]
PSY 109	Research Methods in Psychology	3	Dr. [Name]
PSY 110	Statistics for Psychology	3	Dr. [Name]
PSY 201	Advanced Topics in Psychology	3	Dr. [Name]
PSY 202	Advanced Topics in Psychology	3	Dr. [Name]
PSY 203	Advanced Topics in Psychology	3	Dr. [Name]
PSY 204	Advanced Topics in Psychology	3	Dr. [Name]
PSY 205	Advanced Topics in Psychology	3	Dr. [Name]
PSY 206	Advanced Topics in Psychology	3	Dr. [Name]
PSY 207	Advanced Topics in Psychology	3	Dr. [Name]
PSY 208	Advanced Topics in Psychology	3	Dr. [Name]
PSY 209	Advanced Topics in Psychology	3	Dr. [Name]
PSY 210	Advanced Topics in Psychology	3	Dr. [Name]

The Department of Psychology is committed to providing a high-quality education for all students. We offer a variety of courses that cover the field of psychology, from introductory to advanced. Our faculty members are experts in their fields and are dedicated to providing the best possible education for our students. We also offer a variety of extracurricular activities and resources to help our students succeed in their studies and in their careers.

CERTIFICATE OF GRANT INNOVATION PATENT

Patent number: 2020101488

The Commissioner of Patents has granted the above patent on 28 August 2020, and certifies that its issue particulars have been registered in the Register of Patents.

Name and address of patentee(s)

LALITHA S of Associate Professor, Department of ICE, B.M.S. College of Engineering Bangalore, Karnataka 560076 India

R SUNIL SHANTHOSH REDDY of Associate Professor, Department of ICE, MAMU Engineering College (P) Ltd, Sullurpeta, Hyderabad, Telangana - 502002 India

BRACHARADHARI K. H. of Associate Professor, Department of ICE, B.M.S. College of Engineering Bangalore, Karnataka 560076 India

LJONAMA SUNSHETTI of Associate Professor, Department of ICE, BSVI Vastav Engineering College, Thripunivithur, Thiruvananthapuram, Kerala, India - 689701 India

SHAMA SELVARAJ S of Assistant professor, Jaypee Engineering College College of Engineering, Noida, Uttar Pradesh - 201311 India

SHI FENG of D of Degree course, Department of Computer Science, Shaanxi Normal University, Xi'an, Shaanxi, China

Title of invention:

CONTROLLED EFFICIENT ATTENDANCE BASED TECHNOLOGY BASED MODEL FOR ENVIRONMENTAL PUBLIC HEALTH ASSOCIATION

Name of inventor(s)

S: LALITHA REDDY, R. SUNIL SHANTHOSH REDDY, K. H. BRACHARADHARI, SUNSHETTI, LJONAMA, S., SHAMA SELVARAJ and S. SHANTHOSH

Term of Patent

Eight years from 2 August 2020

NOTE: The Innovation Patent cannot be enforced unless and until it has been approved by the Commissioner of Patents and a Certificate of Enforceability has been issued. See sections 122(1)(c) and 123A of the Patents Act 1990, set out in the reverse of this document.



Granted this 28th day of August 2020
Commissioner of Patents

111 Applicant's Address (Form PPH-1) (10)
112 City
113 Date of Filing of Application (MM/DD/YYYY)

114 Application No. (10/2010/12)
115 Priority Date (11/08/09)

116 Title of the Invention: (01) OPERATING FOR IDENTIFICATION AND SECURITY INCLUDING BILL OF MATERIALS (10/2010/12)

117 International Classification	01H	118 Name of Applicant:
119 Priority Document No.	01I	119 Mr. Suresh Kumar Jaiswal
120 Priority Date	01J	120 Address of Applicant: (Applicant's Address) (10/2010/12)
121 Name of Applicant/Inventor	01K	121 Applicant's Address: (10/2010/12)
122 International Application No.	01L	122 Name of Applicant/Inventor: (10/2010/12)
123 International Publication No.	01M	123 Name of Applicant/Inventor: (10/2010/12)
124 Patent of Addition to Application Number	01N	124 Name of Applicant/Inventor: (10/2010/12)
125 Divisional Application Number	01O	125 Name of Applicant/Inventor: (10/2010/12)

126 Remarks:
An applicant for patenting and retaining the strong skills of an at least a person (10/2010/12). The applicant (10/2010/12) comprises a computer system, an at least one computer device that is communicatively associated with an at least one computer device (10/2010/12), an at least one database on the at least one computer device (10/2010/12), and at least one database on the at least one computer device (10/2010/12), an at least one server (10/2010/12) through which an at least one computer device (10/2010/12), an at least one client device (10/2010/12) that is communicatively associated with the at least one computer device (10/2010/12), and a plurality of other (10/2010/12) that is communicatively associated with the at least one computer device (10/2010/12). (10/2010/12)



Office of the Controller General of Patents, Designs & Trade Marks
 Department of Industrial Policy & Promotion,
 Ministry of Commerce & Industry,
 Government of India

(<http://ipindia.nic.in/index.htm>)



<http://ipindia.nic.in/index.htm>

Application Details

APPLICATION NUMBER	20141050407
APPLICATION TYPE	ORDINARY APPLICATION
DATE OF FILING	08/11/2017
APPLICANT NAME	1. Mr. Brahma Venkatesh Reddy 2. Mr. Karimaji Jagadeesh 3. Dr. Chinthapudi Chengalish 4. Mr. Shiva Lakshmi Prasad 5. Mrs. K. Suman Latha 6. Dr. Venkateswararajayak G 7. Mr. N. Sri Mahalingam Reddy 8. Dr. Santosh Kumar Kulkarni 9. Dr. Ch. Puraj Lakshmi 10. Mr. K. Madhusudhan Reddy 11. Mr. Mallikarjun Kumar
TITLE OF INVENTION	AN IC BASED BY BATTERY CHARGING/CONTROLLED WITH ENHANCED BATTERY MANAGEMENT
FIELD OF INVENTION	COMPUTER RELATED
E-MAIL (As Per Record)	mail2suresh@rediffmail.com
ADDITIONAL E-MAIL (As Per Record)	gprasad2014@rediffmail.com
E-MAIL (UPDATED Detail)	
PRIORITY DATE	
REQUEST FOR EXAMINATION DATE	-
PUBLICATION DATE (As Per Record)	18/11/2017

Application Status



(<http://ipindia.nic.in/index.htm>)



(<http://ipindia.nic.in/index.htm>)

Applicant Details:

APPLICATION NUMBER	2014100800
APPLICATION TYPE	ORDINARY APPLICATION
DATE OF FILING	08/11/2014
APPLICANT NAME	1. Dr. S M C SUMAR 2. Dr. HEERAMT B. MAHAJAN 3. Mrs. KOTTEWAR C 4. Mr. TUSHESH KUMAR 5. Dr. S BARNALI 6. Mr. ISHAT ULLAH KHAN 7. V RAGASARASWA 8. C MADHU SAGARBAI 9. Dr. AJAY SHYAM PRASAD 10. Dr. K.G.S. VENKATESAN
TITLE OF INVENTION	DEEP LEARNING BASED FAULT DETECTION ELECTRICAL DISTRIBUTION NETWORK
FIELD OF INVENTION	COMPUTER SCIENCE
E-MAIL (As Per Record)	heerampm@rediffmail.com
ADDITIONAL E-MAIL (As Per Record)	ajaym@verimag.com
E-MAIL (UPDATED Online)	
PRIORITY DATE	
REQUEST FOR PUBLICATION DATE	--
PUBLICATION DATE (UPD FTR)	12/11/2014

S. No.	Title of the Patent	Inventors	Patent Number with filling date	Date of Published/ Status	Department
1.	Secure Goods Delivery System	Dr. R.Krishnamurthy	24-05-2019 with patent Number: 201941020567	07-06-2019	ECE
2.	Access Network Selection System, Device, And Method For Reducing Specific Absorption Values For Cell Phones	Dr.M.Koteswara Rao	29 th June-2019with Patent No: 201941026048	05-07-2019	ECE
3.	Automatic Pest Control System for Protection of Grains in Public Ware Houses	1.Dr.M.Thamarai 2.Dr.Purnima K Sharma 3.Dr.E.Kusuma Kumari 4.Er.S.N.Poorvasivam 5.Sri KSS Kiran 6. Dr.SP.Malarvizhi	Patent No: 201941046823	Published on 29/11/2019. FER Received and response also submitted .awaiting for Examination	ECE& CSE
4.	A novel dual band antenna for wireless body area network	Dr.Purnima K Sharma	Patent No: 201911037562	Published and awaiting for Examination publication date: 27/09/2019.	ECE
5.	A novel Multiband Hybrid Practical antenna with parasitic element	Dr. Purnima K. Sharma	201911049193	Date of publication: 20/12/2019	ECE
6.	Machine Learning Based Computer Implemented Method For Providing Secure Electronic Mail Communication In Categorical Big Data	Dr D Jaya Kumari	201941044839A	08/11/2019	CSE
7.	System And Method For Dynamic Group Key Agreement Based On Block Chain Smart Contract Centric Computing	Dr. V S Naresh	202041020444A	29/05/2020	CSE



PRINCIPAL
SRI VASAVI ENGINEERING COLLEGE
PEDATADEPALLI
TADEPALLIGUDEM - 534 101

123 Title of the invention: SYSTEM AND METHOD FOR VIDEO DISTRIBUTION

<p>124 Inventor(s) name(s):</p> <p>125 Priority Document No.:</p> <p>126 Priority Date:</p> <p>127 Name of applicant:</p> <p>128 Applicant's address: No. 1 King's Road</p> <p>129 Inventor's name(s):</p> <p>130 Name of address in applicant's name: 1 King's Road</p> <p>131 Applicant's address: No. 1 King's Road</p>	<p>125/17/01</p> <p>No.</p> <p>No.</p> <p>No.</p> <p>No.</p> <p>No.</p> <p>No.</p> <p>No.</p> <p>No.</p> <p>No.</p> <p>No.</p>	<p>124 Name of Applicant:</p> <p>125 Name: Applied</p> <p>126 Address of Applicant: School of Computing Science and Engineering, 107, Clarendon Road, Clarendon Road, Perth, India</p> <p>127 Inventor Name: Ramesh Babu</p> <p>128 Name: Applied</p> <p>129 Name: Applied</p> <p>130 Name: Applied</p> <p>131 Name: Applied</p> <p>132 Name: Applied</p> <p>133 Name: Applied</p> <p>134 Name: Applied</p> <p>135 Name: Applied</p> <p>136 Name: Applied</p> <p>137 Name of the name:</p> <p>138 Name: Applied</p> <p>139 Name: Applied</p> <p>140 Name: Applied</p> <p>141 Name: Applied</p> <p>142 Name: Applied</p> <p>143 Name: Applied</p>
--	--	--

144 Abstract

A system and method for video distribution. The system (10) comprises a delivery unit (11) a customer profile module (12), a media module (13), and a server (14). The delivery unit (11) comprises a content module (15), a linking module (16), and a user profile module (17). The delivery unit (11) and the server (14) are communicatively coupled to each other through the network (18) as shown. The content module (15) is configured to communicate with the customer profile module (12) and the media module (13) through a communication module (19). The content module (15) and the server (14) are provided with a suitable control system. The method of operation of the system is also disclosed. The delivery unit (11) is used to deliver the video content and is controlled by a control system. Figure 1 is included in Figure 1.

No. of Pages: 21 No. of Claims: 10

(1) Applicant's Name (Printed Name)

(11) Applicant No. (Printed Name)

(2) Index

(3) Date of filing of application: 29/01/2019

(12) Publication Date: 08/07/2019

(4) Title of the invention: SYSTEMS AND METHODS FOR PROVIDING A PERSONALIZED USER EXPERIENCE

(5) International Classification	G06F0003/00	(6) Name of Applicant	GOOGLE LLC
(5a) Priority Document No.	NA	(6a) Address of Applicant (Inventor/Proprietor, Department of)	1600 Amphitheatre Parkway, Mountain View, California 94034, USA
(5b) Priority Date	NA	(6b) Name of Applicant (Inventor/Proprietor, Department of)	GOOGLE LLC
(5c) Name of priority country	NA	(6c) Name of Applicant (Inventor/Proprietor, Department of)	GOOGLE LLC
(5d) International Application No.	NA	(6d) Name of Applicant (Inventor/Proprietor, Department of)	GOOGLE LLC
(5e) Filing Date	NA	(6e) Name of Applicant (Inventor/Proprietor, Department of)	GOOGLE LLC
(5f) International Publication No.	NA	(6f) Name of Applicant (Inventor/Proprietor, Department of)	GOOGLE LLC
(6) Name of address of Applicant (Priority)	NA	(6g) Name of Applicant (Inventor/Proprietor, Department of)	GOOGLE LLC
(6a) Filing Date	NA	(6h) Name of Applicant (Inventor/Proprietor, Department of)	GOOGLE LLC
(6b) Name of Applicant (Priority)	NA	(6i) Name of Applicant (Inventor/Proprietor, Department of)	GOOGLE LLC
(6c) Filing Date	NA	(6j) Name of Applicant (Inventor/Proprietor, Department of)	GOOGLE LLC

(7) Abstract:
 A system of the present disclosure includes an access control system which is a communication network which includes multiple servers and/or devices and each of the servers and/or devices includes a processor and a memory. The system includes the steps of: receiving (7a) data from a specific device (7b); processing (7c) the data received from the specific device; and selecting (7d) at least one server and/or device from the servers and/or devices having a lowest load value for processing the data received from the specific device. The system and method is described in detail in the following text and drawings.

No. of Pages: 20 No. of Claims: 10

070 Title of the process: AUTOMATIC WASTE CONTROL SYSTEM FOR SELECTION OF GRADE OF PAPER BY USE OF CAMERA

071 Inventor(s) name(s)		080 Applicant	090 Name of Applicant
072 Priority (National No)		081	091 Address of Applicant: Krishna Engineering & I.T. Co
073 Priority (Date)		082	092 Inventor(s) Name(s): Krishna Engineering & I.T. Co
074 Name of priority country		083	093 Name of the office
075 International application No		084	094 Mr. Pradeep K. Sharma
076 Inventor(s) name(s) for filing this		085	095 Mr. Shashi Sharma
077 International Publication No		086	096 Mr. N. S. Kumar
078 Name of Applicant for Application Number		087	097 Mr. H. Maheswar
079 Inventor(s) name(s) for filing this		088	098 Mr. V. Venkateshwar
080 Applicant for Application Number		089	099 Mr. M. Manoj
081 Name of Applicant for filing this		090	100 Mr. K. Sarwan Kumar

070 Abstract

The present invention provides a system to process the selected grade from the process of classification using an AI system. The system comprises of a grade processing device, for the process of AI, the device consists of a camera, a processor, a memory, and a display. The grade processing device used three low cost cameras are used to take the paper with the help of the camera which has depth of the camera. A 10MP camera gives 30° field of view which captures the sheet. The paper undergoes automated processing in the device by giving an input through the sheet and its edges. An AI processing unit comprises of a neural network which is trained by a 10MP camera and captures images for processing the necessary for AI for processing. An electronic control unit controls the entire process and makes it fully automatic. The control unit is responsible for controlling a camera of camera for a grade processing from the sheet, the camera captures images and sends the images through the electronic device.

No. of Pages: 11 No. of Claims: 9

The Title of the service: ONLINE DRUG BOARD SERVICES FOR REGISTERED HEALTHCARE PROFESSIONALS

(1) Commercial Description	498000000	(1) Name of Applicant	Online Services
(2) Primary Description No.	754	(2) Address of Applicant	Online Services, Business Practices
(3) Primary Code	754	(3) E-mail Address of Applicant	W.L.D. Dept Sector 25, ITSEZ Gurgaon Haryana India
(4) Name of parent company	754	(4) Person & Name	W.L.D. Dept
(5) Commercial Description No.	754	(5) Address of Applicant	Online Services, Business Practices
(6) Filing Date	754	(6) E-mail Address of Applicant	W.L.D. Dept
(7) Commercial Description No.	754	(7) Name of Applicant	Online Services
(8) Name of address in application Number	754	(8) Person & Name	Online Services, Business Practices
(9) Filing Date	754	(9) Address of Applicant	Online Services, Business Practices
(10) Commercial Description Number	754	(10) E-mail Address of Applicant	W.L.D. Dept
(11) Filing Date	754	(11) Name of Applicant	Online Services

(12) Summary

According to World Health Organization 10 million people across the globe do not have access to basic health facilities. The present report deal with online (L1) for health is designed to provide to 70 (70%) and 2 (2%) which are identified for support both are network applications. The network can be utilized by connecting the functionality details of applications and services of the body which the user is used to know the health condition of the body better because both conditions require to control both of various body was network. The main advantage of using the network is that it is not necessary and given to use that details of the applications from. Part of the available features of using network very good network is that it can be used for multiple applications. The network can be used for multiple applications such as W.L.D. and can also support for S. Health applications. The user use of the network in the field of medicine body was network, used for health support services to use to know the various details of the body. By using network that health support services the user can help both are user, instead of going to a site and spending money because we can be able to know that and even the symptoms of a particular disease affects like the network's steps could help place. Thus using the network we can really help the health condition of the country by making this use as medical tool. The network and the general welfare of various are connected with the help of Internet and health condition and the convenience of the network to use W.L.D. network. The network results are compared with the network mode of services.

REGISTRATION

REGISTRATION OF APPLICANTS (2011-2012)

REGISTRATION OF APPLICANTS (2011-2012)

REGISTRATION OF APPLICANTS (2011-2012) - REGISTRATION OF APPLICANTS (2011-2012)

REGISTRATION OF APPLICANTS (2011-2012)	REGISTRATION OF APPLICANTS (2011-2012)	REGISTRATION OF APPLICANTS (2011-2012)
REGISTRATION OF APPLICANTS (2011-2012)	REGISTRATION OF APPLICANTS (2011-2012)	REGISTRATION OF APPLICANTS (2011-2012)
REGISTRATION OF APPLICANTS (2011-2012)	REGISTRATION OF APPLICANTS (2011-2012)	REGISTRATION OF APPLICANTS (2011-2012)
REGISTRATION OF APPLICANTS (2011-2012)	REGISTRATION OF APPLICANTS (2011-2012)	REGISTRATION OF APPLICANTS (2011-2012)
REGISTRATION OF APPLICANTS (2011-2012)	REGISTRATION OF APPLICANTS (2011-2012)	REGISTRATION OF APPLICANTS (2011-2012)
REGISTRATION OF APPLICANTS (2011-2012)	REGISTRATION OF APPLICANTS (2011-2012)	REGISTRATION OF APPLICANTS (2011-2012)
REGISTRATION OF APPLICANTS (2011-2012)	REGISTRATION OF APPLICANTS (2011-2012)	REGISTRATION OF APPLICANTS (2011-2012)
REGISTRATION OF APPLICANTS (2011-2012)	REGISTRATION OF APPLICANTS (2011-2012)	REGISTRATION OF APPLICANTS (2011-2012)
REGISTRATION OF APPLICANTS (2011-2012)	REGISTRATION OF APPLICANTS (2011-2012)	REGISTRATION OF APPLICANTS (2011-2012)
REGISTRATION OF APPLICANTS (2011-2012)	REGISTRATION OF APPLICANTS (2011-2012)	REGISTRATION OF APPLICANTS (2011-2012)
REGISTRATION OF APPLICANTS (2011-2012)	REGISTRATION OF APPLICANTS (2011-2012)	REGISTRATION OF APPLICANTS (2011-2012)
REGISTRATION OF APPLICANTS (2011-2012)	REGISTRATION OF APPLICANTS (2011-2012)	REGISTRATION OF APPLICANTS (2011-2012)
REGISTRATION OF APPLICANTS (2011-2012)	REGISTRATION OF APPLICANTS (2011-2012)	REGISTRATION OF APPLICANTS (2011-2012)
REGISTRATION OF APPLICANTS (2011-2012)	REGISTRATION OF APPLICANTS (2011-2012)	REGISTRATION OF APPLICANTS (2011-2012)
REGISTRATION OF APPLICANTS (2011-2012)	REGISTRATION OF APPLICANTS (2011-2012)	REGISTRATION OF APPLICANTS (2011-2012)
REGISTRATION OF APPLICANTS (2011-2012)	REGISTRATION OF APPLICANTS (2011-2012)	REGISTRATION OF APPLICANTS (2011-2012)
REGISTRATION OF APPLICANTS (2011-2012)	REGISTRATION OF APPLICANTS (2011-2012)	REGISTRATION OF APPLICANTS (2011-2012)
REGISTRATION OF APPLICANTS (2011-2012)	REGISTRATION OF APPLICANTS (2011-2012)	REGISTRATION OF APPLICANTS (2011-2012)
REGISTRATION OF APPLICANTS (2011-2012)	REGISTRATION OF APPLICANTS (2011-2012)	REGISTRATION OF APPLICANTS (2011-2012)
REGISTRATION OF APPLICANTS (2011-2012)	REGISTRATION OF APPLICANTS (2011-2012)	REGISTRATION OF APPLICANTS (2011-2012)
REGISTRATION OF APPLICANTS (2011-2012)	REGISTRATION OF APPLICANTS (2011-2012)	REGISTRATION OF APPLICANTS (2011-2012)
REGISTRATION OF APPLICANTS (2011-2012)	REGISTRATION OF APPLICANTS (2011-2012)	REGISTRATION OF APPLICANTS (2011-2012)
REGISTRATION OF APPLICANTS (2011-2012)	REGISTRATION OF APPLICANTS (2011-2012)	REGISTRATION OF APPLICANTS (2011-2012)
REGISTRATION OF APPLICANTS (2011-2012)	REGISTRATION OF APPLICANTS (2011-2012)	REGISTRATION OF APPLICANTS (2011-2012)
REGISTRATION OF APPLICANTS (2011-2012)	REGISTRATION OF APPLICANTS (2011-2012)	REGISTRATION OF APPLICANTS (2011-2012)
REGISTRATION OF APPLICANTS (2011-2012)	REGISTRATION OF APPLICANTS (2011-2012)	REGISTRATION OF APPLICANTS (2011-2012)
REGISTRATION OF APPLICANTS (2011-2012)	REGISTRATION OF APPLICANTS (2011-2012)	REGISTRATION OF APPLICANTS (2011-2012)

The Commission's current practices in the regulated utilities, are based on the same basic facts and include the utility address. If a single address is provided for multiple applications the Commission utility has been assigned. It therefore is not likely that an address change by a utility company would be necessary for the multiple utilities. The utility change is a change in the utility's address only. The Commission's current practices in the regulated utilities, are based on the same basic facts and include the utility address. If a single address is provided for multiple applications the Commission utility has been assigned. It therefore is not likely that an address change by a utility company would be necessary for the multiple utilities. The utility change is a change in the utility's address only. The Commission's current practices in the regulated utilities, are based on the same basic facts and include the utility address. If a single address is provided for multiple applications the Commission utility has been assigned. It therefore is not likely that an address change by a utility company would be necessary for the multiple utilities. The utility change is a change in the utility's address only.

Page 167 of 174

111 PATENT APPLICATION PUBLICATION

111 Application No. 2019000012 A

111 IPC Class

111 Date of filing of Application: 2011.03.01

111 Publication Date: 2011.03.01

111 Title of the invention: **ALTERNATE PEST CONTROL SYSTEM FOR PROTECTION OF GRASS TO PUBLIC WAREHOUSES**

111 International Classification	A01P000100	11 Name of Applicant	111 Name of Applicant INDIA CRANES & SHEDS
112 Priority Document No.	NA	11 Address of Applicant	Address of Applicant: Ministry Department of I&T No 1
113 Priority Date	NA	11 Name of Applicant	11 Name of Applicant Sector Engineering College, Indraprastha Area, New Delhi
114 Name of priority country	NA	11 Name of Applicant	11 Name of Applicant Sector Office, Sector, Indraprastha Area
115 International Application No.	NA	11 Name of Applicant	11 Name of Applicant
116 Filing Date	NA	11 Name of Applicant	11 Name of Applicant
117 International Publication No.	NA	11 Name of Applicant	11 Name of Applicant
118 Point of Address in Application Number	NA	11 Name of Applicant	11 Name of Applicant
119 Filing Date	NA	11 Name of Applicant	11 Name of Applicant
120 Inventor in Application Number	NA	11 Name of Applicant	11 Name of Applicant
121 Filing Date	NA	11 Name of Applicant	11 Name of Applicant

111 Abstract:
Disclosed is a system for pest control which is provided to protect the stored goods and livestock in the ports of warehouses being for an treatment. The system comprises of a grass processing device, for or processing and destruction of the pest and other pest control agents. The grass processing device that has an inlet for an input which can include natural waste which has been in an category, a 1000-watt power AC induction motor means for drive. The grass cutting mechanism processing in the form of grinding device through the inlet and an pipe. The grass processing unit comprises of an air blower device for a 1000-watt and includes device for processing the material for use for processing. An electronic control unit controls the motor power and makes a fully automatic. The control unit is responsible for controlling a sequence of process like grass processing rate in the drive, drive speed motor control and timing and control flow through the induction device.

112 PATENT APPLICATION PUBLICATION

112 Application No. 2019000012 A

112 IPC Class

112 Date of filing of Application: 2011.03.01

112 Publication Date: 2011.03.01

112 Title of the invention: **ENCRYPTED GENERAL BROADCASTING FOR ENHANCED NETWORKS FOR PROVIDING SECURE AND TRUSTED MAIL COMMUNICATIONS THROUGH NETWORKS**

112 International Classification	A01P000100	11 Name of Applicant	112 Name of Applicant INDIA CRANES & SHEDS
113 Priority Document No.	NA	11 Address of Applicant	Address of Applicant: Ministry Department of I&T No 1
114 Priority Date	NA	11 Name of Applicant	11 Name of Applicant Sector Engineering College, Indraprastha Area, New Delhi
115 Name of priority country	NA	11 Name of Applicant	11 Name of Applicant Sector Office, Sector, Indraprastha Area
116 International Application No.	NA	11 Name of Applicant	11 Name of Applicant
117 Filing Date	NA	11 Name of Applicant	11 Name of Applicant
118 International Publication No.	NA	11 Name of Applicant	11 Name of Applicant
119 Point of Address in Application Number	NA	11 Name of Applicant	11 Name of Applicant
120 Filing Date	NA	11 Name of Applicant	11 Name of Applicant
121 Inventor in Application Number	NA	11 Name of Applicant	11 Name of Applicant
122 Filing Date	NA	11 Name of Applicant	11 Name of Applicant

112 Abstract:
The present invention discloses a method for a solution having a multi-layered encrypted method for providing secure internet mail communication. The disclosure of the problem of communication and internet of mail which is being integrated into communication. The invention discloses a multi-layered method of an input which includes a secure key which is available in the network and a corresponding receiving method of a variety of data which is being received in the network. A corresponding receiving method for data and an output of the network. The method used is having a multi-layered algorithm, which is processed by a host and processed of a host and corresponding device. The invention provides an encrypted

(15) Title of the invention: SYSTEM AND METHOD FOR MULTIPLE GROUP SERVICE-BUY AGREEMENT BASED ON MULTIMEDIA BASED CONTRACT CONTROL CONCEPTS

(16) International Classification	H04L	(17) Name of Applicant:
(18) Priority Number (s)	9-07	1) Yashwanth Software Private
(19) Priority Date	04	Address of Applicant: #71/2B, New World Parkroad,
(20) Name of priority owner	04	Joseph Perumal (Singapore, Registered Mail) West Harbour
(21) International Application No.	04	14/01, Andhra Pradesh, India. India's Patent Office
Priority Date	04	(18) Name of Invention:
(22) International Publication No.	04	1) Yashwanth Software Private
(23) Name of Address in Application Document	04	2) V. S. Srinivas Reddy
Priority Date	04	3) Anandaram Reddy
(24) Document in Application Document	04	4) Anandaram Reddy
Priority Date	04	

(17) Abstract:
 Abstract 1: This invention method for Multiple Group Service Buy Agreement Based on Multimedia Based Contract Control Concept. The proposed invention provides a system and method for multiple group service buy agreement based on Multimedia group generating user content media computer. The system uses a Multimedia technology which allows group members to exchange and deliver content for their gain in the establishment of trust. The system (10) for Multimedia based user content control multiple group service buy agreement comprises group participants module (11), a distributed ledger (12) and a trust group controller module (13). The group participants module (10) further comprises a key pair generation module (14), a group participant registration module (15), a multiple based key generation module (16), and a multiple group key generation module (17). And the trust group controller module (13) further comprises a group controller key pair generation module (18), a participant registration module (19), a multiple based key generation module (20), and a multiple group key generation module (21). The system performs a different number of trust key based on the need of application and the trust level of service and price is changed.

S. No.	Title of the Patent	Inventors	Patent Number with filling date	Date of Published/Status	Department
1.	A Novel meander line multiband Antenna with Parasitic elements	1.Dr.Purnima K Sharma 2.Dr.M.Thamarai 3.Dr.E.Kusuma Kumari	30th January 2019 with patent No.201911003653	23 rd Feb – 2019.FER Received and response also submitted.	ECE
2.	An Automated & Adaptive Self-Power Generate garbage Notification	1.Dr.M.Thamarai 2.Dr.Purnima K Sharma 3.Dr.E.Kusuma Kumari 4.Mr.Thota VijaySai 5.Mr.RajendraJampa	03 rd February 2019 with Patent No: 201911004222	23 rd Feb – 2019	ECE
3.	“A Novel Multiband Antenna for 5G Wireless Communications”.	Dr.Purnima K Sharma	F.No. 201911008824 dated 7 th Mar. 2019	29 th Mar. 2019 journal no. 13/2019).	ECE
4.	“Slotted Wheel Microstrip Patch Antenna Based RF Energy Harvesting System”.	Dr.Purnima K Sharma	F.No. 201941017384 dated 01 st May 2019	10 th May 2019 journal no. 19/2019).	ECE



PRINCIPAL
SRI VASAVI ENGINEERING COLLEGE
PEDATADEPALLI
TADEPALLIGUDEM - 534 101

APPENDIX 1: APPLICATION FORM
 APPENDIX 1
 The Department of Agriculture, Fisheries and Forestry

The Department of Agriculture, Fisheries and Forestry
 The Department of Agriculture, Fisheries and Forestry

APPENDIX 1: APPLICATION FORM AND APPLICATION SUBMISSION CHECKLIST

Checklist of application		Checklist of documents	
		1.000-01 THE FARMER Name of applicant THE FARMER Address of applicant 100-100 STREET Town/Village/Township THE FARMER District and province THE FARMER	
		2.000-01 THE FARMER Name of applicant THE FARMER Address of applicant 100-100 STREET Town/Village/Township THE FARMER District and province THE FARMER	
		3.000-01 THE FARMER Name of applicant THE FARMER Address of applicant 100-100 STREET Town/Village/Township THE FARMER District and province THE FARMER	
		4.000-01 THE FARMER Name of applicant THE FARMER Address of applicant 100-100 STREET Town/Village/Township THE FARMER District and province THE FARMER	
		5.000-01 THE FARMER Name of applicant THE FARMER Address of applicant 100-100 STREET Town/Village/Township THE FARMER District and province THE FARMER	
		6.000-01 THE FARMER Name of applicant THE FARMER Address of applicant 100-100 STREET Town/Village/Township THE FARMER District and province THE FARMER	
		7.000-01 THE FARMER Name of applicant THE FARMER Address of applicant 100-100 STREET Town/Village/Township THE FARMER District and province THE FARMER	
		8.000-01 THE FARMER Name of applicant THE FARMER Address of applicant 100-100 STREET Town/Village/Township THE FARMER District and province THE FARMER	
		9.000-01 THE FARMER Name of applicant THE FARMER Address of applicant 100-100 STREET Town/Village/Township THE FARMER District and province THE FARMER	
		10.000-01 THE FARMER Name of applicant THE FARMER Address of applicant 100-100 STREET Town/Village/Township THE FARMER District and province THE FARMER	
		11.000-01 THE FARMER Name of applicant THE FARMER Address of applicant 100-100 STREET Town/Village/Township THE FARMER District and province THE FARMER	
		12.000-01 THE FARMER Name of applicant THE FARMER Address of applicant 100-100 STREET Town/Village/Township THE FARMER District and province THE FARMER	
		13.000-01 THE FARMER Name of applicant THE FARMER Address of applicant 100-100 STREET Town/Village/Township THE FARMER District and province THE FARMER	
		14.000-01 THE FARMER Name of applicant THE FARMER Address of applicant 100-100 STREET Town/Village/Township THE FARMER District and province THE FARMER	
		15.000-01 THE FARMER Name of applicant THE FARMER Address of applicant 100-100 STREET Town/Village/Township THE FARMER District and province THE FARMER	
		16.000-01 THE FARMER Name of applicant THE FARMER Address of applicant 100-100 STREET Town/Village/Township THE FARMER District and province THE FARMER	
		17.000-01 THE FARMER Name of applicant THE FARMER Address of applicant 100-100 STREET Town/Village/Township THE FARMER District and province THE FARMER	
		18.000-01 THE FARMER Name of applicant THE FARMER Address of applicant 100-100 STREET Town/Village/Township THE FARMER District and province THE FARMER	
		19.000-01 THE FARMER Name of applicant THE FARMER Address of applicant 100-100 STREET Town/Village/Township THE FARMER District and province THE FARMER	
		20.000-01 THE FARMER Name of applicant THE FARMER Address of applicant 100-100 STREET Town/Village/Township THE FARMER District and province THE FARMER	

The program provides various types of agricultural and related services to farmers and other agricultural producers and processors in the province of the applicant as well as to other sectors of the economy such as the mining and forestry sectors. The program also provides various services to the agricultural sector such as the collection, processing and distribution of agricultural products. The program also provides various services to the agricultural sector such as the collection, processing and distribution of agricultural products.

No. of pages: 27 (incl. cover)

(16) Name of the invention: (16) (17) (18) (19) (20) (21) (22) (23) (24) (25) (26) (27) (28) (29) (30) (31) (32) (33) (34) (35) (36) (37) (38) (39) (40) (41) (42) (43) (44) (45) (46) (47) (48) (49) (50) (51) (52) (53) (54) (55) (56) (57) (58) (59) (60) (61) (62) (63) (64) (65) (66) (67) (68) (69) (70) (71) (72) (73) (74) (75) (76) (77) (78) (79) (80) (81) (82) (83) (84) (85) (86) (87) (88) (89) (90) (91) (92) (93) (94) (95) (96) (97) (98) (99) (100)

(11) International Classification	H01M 07/42
(12) Priority Document No.	2018
(13) Priority Date	2018
(14) Name of applicant	2018
(15) International application No.	2018
(16) Name of applicant	2018
(17) Name of applicant	2018
(18) Name of applicant	2018
(19) Name of applicant	2018
(20) Name of applicant	2018
(21) Name of applicant	2018
(22) Name of applicant	2018
(23) Name of applicant	2018
(24) Name of applicant	2018
(25) Name of applicant	2018
(26) Name of applicant	2018
(27) Name of applicant	2018
(28) Name of applicant	2018
(29) Name of applicant	2018
(30) Name of applicant	2018
(31) Name of applicant	2018
(32) Name of applicant	2018
(33) Name of applicant	2018
(34) Name of applicant	2018
(35) Name of applicant	2018
(36) Name of applicant	2018
(37) Name of applicant	2018
(38) Name of applicant	2018
(39) Name of applicant	2018
(40) Name of applicant	2018
(41) Name of applicant	2018
(42) Name of applicant	2018
(43) Name of applicant	2018
(44) Name of applicant	2018
(45) Name of applicant	2018
(46) Name of applicant	2018
(47) Name of applicant	2018
(48) Name of applicant	2018
(49) Name of applicant	2018
(50) Name of applicant	2018
(51) Name of applicant	2018
(52) Name of applicant	2018
(53) Name of applicant	2018
(54) Name of applicant	2018
(55) Name of applicant	2018
(56) Name of applicant	2018
(57) Name of applicant	2018
(58) Name of applicant	2018
(59) Name of applicant	2018
(60) Name of applicant	2018
(61) Name of applicant	2018
(62) Name of applicant	2018
(63) Name of applicant	2018
(64) Name of applicant	2018
(65) Name of applicant	2018
(66) Name of applicant	2018
(67) Name of applicant	2018
(68) Name of applicant	2018
(69) Name of applicant	2018
(70) Name of applicant	2018
(71) Name of applicant	2018
(72) Name of applicant	2018
(73) Name of applicant	2018
(74) Name of applicant	2018
(75) Name of applicant	2018
(76) Name of applicant	2018
(77) Name of applicant	2018
(78) Name of applicant	2018
(79) Name of applicant	2018
(80) Name of applicant	2018
(81) Name of applicant	2018
(82) Name of applicant	2018
(83) Name of applicant	2018
(84) Name of applicant	2018
(85) Name of applicant	2018
(86) Name of applicant	2018
(87) Name of applicant	2018
(88) Name of applicant	2018
(89) Name of applicant	2018
(90) Name of applicant	2018
(91) Name of applicant	2018
(92) Name of applicant	2018
(93) Name of applicant	2018
(94) Name of applicant	2018
(95) Name of applicant	2018
(96) Name of applicant	2018
(97) Name of applicant	2018
(98) Name of applicant	2018
(99) Name of applicant	2018
(100) Name of applicant	2018

(11) Name of Applicant:	2018
(12) Address of Applicant:	2018
(13) Name of Applicant:	2018
(14) Name of Applicant:	2018
(15) Name of Applicant:	2018
(16) Name of Applicant:	2018
(17) Name of Applicant:	2018
(18) Name of Applicant:	2018
(19) Name of Applicant:	2018
(20) Name of Applicant:	2018
(21) Name of Applicant:	2018
(22) Name of Applicant:	2018
(23) Name of Applicant:	2018
(24) Name of Applicant:	2018
(25) Name of Applicant:	2018
(26) Name of Applicant:	2018
(27) Name of Applicant:	2018
(28) Name of Applicant:	2018
(29) Name of Applicant:	2018
(30) Name of Applicant:	2018
(31) Name of Applicant:	2018
(32) Name of Applicant:	2018
(33) Name of Applicant:	2018
(34) Name of Applicant:	2018
(35) Name of Applicant:	2018
(36) Name of Applicant:	2018
(37) Name of Applicant:	2018
(38) Name of Applicant:	2018
(39) Name of Applicant:	2018
(40) Name of Applicant:	2018
(41) Name of Applicant:	2018
(42) Name of Applicant:	2018
(43) Name of Applicant:	2018
(44) Name of Applicant:	2018
(45) Name of Applicant:	2018
(46) Name of Applicant:	2018
(47) Name of Applicant:	2018
(48) Name of Applicant:	2018
(49) Name of Applicant:	2018
(50) Name of Applicant:	2018
(51) Name of Applicant:	2018
(52) Name of Applicant:	2018
(53) Name of Applicant:	2018
(54) Name of Applicant:	2018
(55) Name of Applicant:	2018
(56) Name of Applicant:	2018
(57) Name of Applicant:	2018
(58) Name of Applicant:	2018
(59) Name of Applicant:	2018
(60) Name of Applicant:	2018
(61) Name of Applicant:	2018
(62) Name of Applicant:	2018
(63) Name of Applicant:	2018
(64) Name of Applicant:	2018
(65) Name of Applicant:	2018
(66) Name of Applicant:	2018
(67) Name of Applicant:	2018
(68) Name of Applicant:	2018
(69) Name of Applicant:	2018
(70) Name of Applicant:	2018
(71) Name of Applicant:	2018
(72) Name of Applicant:	2018
(73) Name of Applicant:	2018
(74) Name of Applicant:	2018
(75) Name of Applicant:	2018
(76) Name of Applicant:	2018
(77) Name of Applicant:	2018
(78) Name of Applicant:	2018
(79) Name of Applicant:	2018
(80) Name of Applicant:	2018
(81) Name of Applicant:	2018
(82) Name of Applicant:	2018
(83) Name of Applicant:	2018
(84) Name of Applicant:	2018
(85) Name of Applicant:	2018
(86) Name of Applicant:	2018
(87) Name of Applicant:	2018
(88) Name of Applicant:	2018
(89) Name of Applicant:	2018
(90) Name of Applicant:	2018
(91) Name of Applicant:	2018
(92) Name of Applicant:	2018
(93) Name of Applicant:	2018
(94) Name of Applicant:	2018
(95) Name of Applicant:	2018
(96) Name of Applicant:	2018
(97) Name of Applicant:	2018
(98) Name of Applicant:	2018
(99) Name of Applicant:	2018
(100) Name of Applicant:	2018

(17) Abstract:
 (18) Summary:
 (19) Description:
 (20) Claims:
 (21) Drawings:
 (22) Figures:
 (23) Tables:
 (24) Equations:
 (25) References:
 (26) Citations:
 (27) Bibliography:
 (28) Glossary:
 (29) Definitions:
 (30) Abbreviations:
 (31) Acronyms:
 (32) Symbols:
 (33) Units:
 (34) Conventions:
 (35) Notes:
 (36) Footnotes:
 (37) Appendices:
 (38) Exhibits:
 (39) Test Results:
 (40) Conclusions:
 (41) Recommendations:
 (42) Acknowledgments:
 (43) References to Other Documents:
 (44) References to Other Patents:
 (45) References to Other Publications:
 (46) References to Other Works:
 (47) References to Other Sources:
 (48) References to Other Data:
 (49) References to Other Information:
 (50) References to Other Knowledge:
 (51) References to Other Art:
 (52) References to Other Science:
 (53) References to Other Technology:
 (54) References to Other Industry:
 (55) References to Other Academia:
 (56) References to Other Research:
 (57) References to Other Development:
 (58) References to Other Innovation:
 (59) References to Other Progress:
 (60) References to Other Advancement:
 (61) References to Other Improvement:
 (62) References to Other Enhancement:
 (63) References to Other Refinement:
 (64) References to Other Optimization:
 (65) References to Other Maximization:
 (66) References to Other Minimization:
 (67) References to Other Reduction:
 (68) References to Other Elimination:
 (69) References to Other Exclusion:
 (70) References to Other Inclusion:
 (71) References to Other Incorporation:
 (72) References to Other Integration:
 (73) References to Other Interconnection:
 (74) References to Other Interaction:
 (75) References to Other Interrelation:
 (76) References to Other Interdependence:
 (77) References to Other Interrelationship:
 (78) References to Other Interplay:
 (79) References to Other Interlinking:
 (80) References to Other Interweaving:
 (81) References to Other Interlacing:
 (82) References to Other Interlocking:
 (83) References to Other Interfitting:
 (84) References to Other Intermeshing:
 (85) References to Other Interconnecting:
 (86) References to Other Interlinking:
 (87) References to Other Interconnecting:
 (88) References to Other Interlinking:
 (89) References to Other Interconnecting:
 (90) References to Other Interlinking:
 (91) References to Other Interconnecting:
 (92) References to Other Interlinking:
 (93) References to Other Interconnecting:
 (94) References to Other Interlinking:
 (95) References to Other Interconnecting:
 (96) References to Other Interlinking:
 (97) References to Other Interconnecting:
 (98) References to Other Interlinking:
 (99) References to Other Interconnecting:
 (100) References to Other Interlinking: